



designer cover

AR3500

ARRONE overhead door closing device:

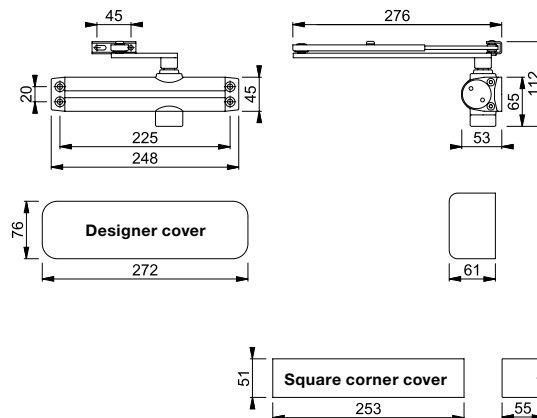
- Power adjustable power size 2-4 by spring
- Backcheck/Delayed Action
- Option: Designer cover or square corner cover
- Suitable for doors up to 1100 mm wide and 80kg weight when fitted in Fig 1, Fig 6 & Fig 61 fixing positions
- Fixing points retrofit other popular British closers of a similar application
- Successfully type tested for conformity to all the requirements of BS EN1154:1997

Fig 1, 6 and 61	3	8	4 2	1*	1	4
-----------------	---	---	--------	----	---	---

- CE Marked: Certificate 1121-CPD-AD0009
- Certifire Approved Product: Certificate CF294
- CPR Declaration of Performance Certificate: HUK0019

Product ref.	Article description	Finish	Article no.
AR3500-D-Y/Y	Door closer and matching arm	F1004	87101081
AR3500-D-R/R	Door closer and matching arm	F3003	87101078
AR3500-D-CL/CL	Door closer and matching arm	F3005	87101071
AR3500-D-CO/CO	Door closer and matching arm	F5002	87101072
AR3500-D-MB/MB	Door closer and matching arm	F5003	87101077
AR3500-D-V/V	Door closer and matching arm	F6016	87101080
AR3500-D-AG/AG	Door closer and matching arm	F7016	11500256
AR3500-D-DG/DG	Door closer and matching arm	F7506	87101073
AR3500-D-DW/DW	Door closer and matching arm	F9016	87101074
AR3500-D-E/E	Door closer and matching arm	F9017	87101059

AR3500-ARM-HO-E	Hold open arm only	F9017	87102502
AR3500-DP-E	Drop plate	F9017	87100982



The AR3500 can satisfy the opening force recommendations of BS8300 and AD-M when fitted in Fig 1 to a door with minimum width of 938 mm according to third party data. However other installed hardware, door seals and differential air pressure will affect the products as fitted performance meaning that the door closer alone cannot allow compliance to BS8300 and AD-M.

Included in a successful fire test to BS EN1634 Part-1. Suitable for use on 30, 60 and 120 minute timber fire doors