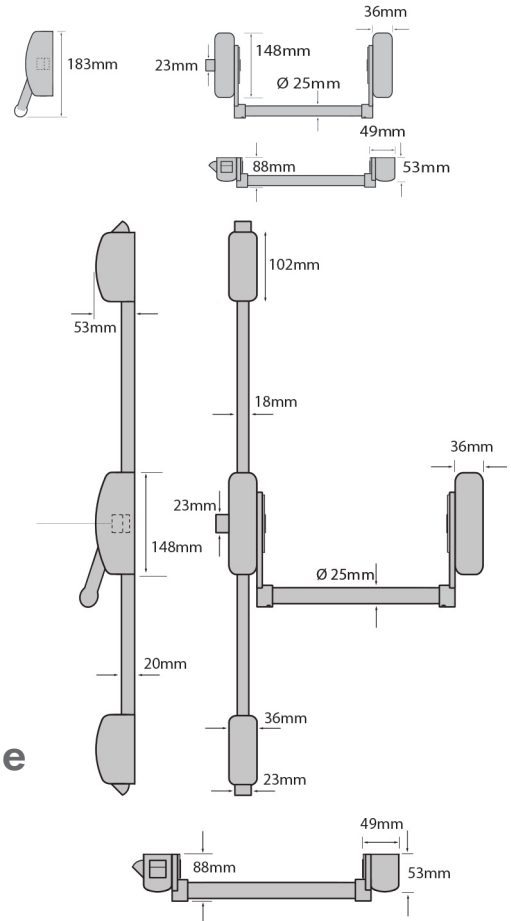


MODULAR RANGE WITH PUSH BAR



Technical Drawings



Technical drawings applicable to PH350, PH355, PH357

Strand Antipanic Modular Push Bar Range

- The modular push bar panic exit device range comprises a full width cross bar and modular components (standard mechanism, idler and cross arm).
- The range offers a large degree of flexibility and can provide 1, 2 and 3 point latches (with horizontal or side entry Pullman latches) and 2 or 3 point bolts (with vertical Pullman latches).
- Suitable for public buildings (such as hotels, schools, retail outlets, hospitals, nightclubs) where people are unfamiliar with surroundings.
- Standard devices suitable for doors up to 2585mm high, 1050mm wide, for larger doors variations available to suit doors up to 3150mm high, 1450mm wide.

Application

- Supplied with striker plates for timber doors as standard.
- Strikers also available for PVC-U, Aluminium and Steel doors (Please specify when ordering).

Dogging facility:

Dogging should not be used on the fire/smoke door assemblies

- The modular range is available with a dogging or hold-back facility (Additional cost).
- Can only be used on escape doors.
- If required specify when ordering.

Microswitch

- The modular cross bar range can be provided with a microswitch contained in either the operating mechanism or idler.
- If required please specify at the time of ordering stating the microswitch location (Additional cost).

Outside access

- Optional outside access devices are available to provide entry from the outside (See page 12-13 for further information).



All Panic Hardware devices (with full width crossarm) have been tested and certified to EN1125 : 2008 (classification 3-7-7-B-1-4-2-2-A-A)



Finishes

Powder coated finishes

Silver EPS (20)

Black EPB (01)

White EPW (25)

Silver with Green crossarm SGN (82)

Black with Green crossarm BGN (81)

White with Green crossarm WGN (85)

Black with SAA crossarm BSR (80)

Other colours (00)

Plated finishes

Satin Stainless Steel Plated SSSP (44)

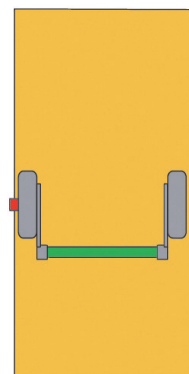
Satin Stainless Steel Plated with Green cross arm SSGN (84)

*Polished Stainless Steel Plated PSSP (55)

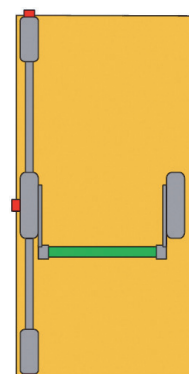
*Polished Brass Plated BP (43)

* Various other RAL colours and plated finishes are available to special order. Please contact us to enquire.

PH350 Reversible single point panic latch



PH355 Reversible three point panic bolt



PH357 Reversible three point panic latch

