

# MODULAR RANGE WITH PUSH PAD



## Strand Antipanic Modular Push Pad Range

- The push pad emergency exit range comprises of modular components together with a push pad.
- The range offers a large degree of flexibility and can provide 1, 2 and 3 point latches (with horizontal or side entry Pullman latches) and 2 or 3 point bolts (with vertical pullman latches).
- Suitable for offices and buildings where people are familiar with the exits and hardware therefore a panic situation is unlikely to develop.

### Application

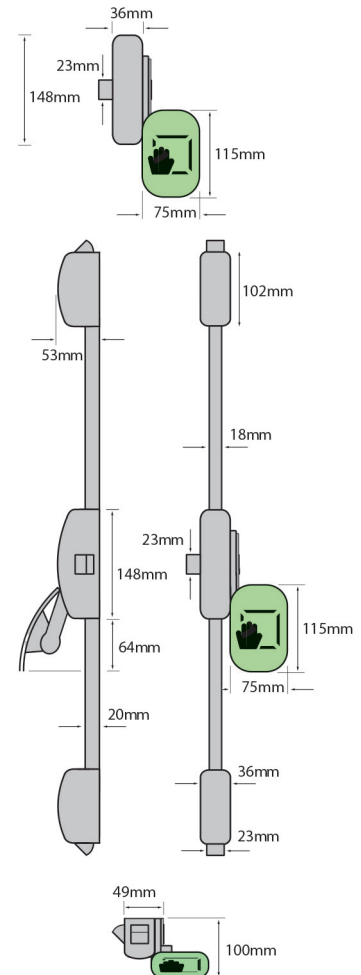
- Supplied with striker plates for timber doors as standard.
- Strikers also available for PVC-U, Aluminium and Steel doors (Please specify when ordering).

### Dogging facility:

Dogging should not be used on the fire/smoke door assemblies

- The modular range is available with a dogging or hold-back facility (Additional cost).
- Can only be used on escape doors.
- If required specify when ordering.

## Technical Drawings



Technical drawings applicable to PH352, PH356, PH358



All the devices of Emergency Exit Hardware (with push pad) have been tested and certified to: EN 179:2008 (Classification: 3-7-7-B-1-4-4-2-B-A)

### Microswitch

- The modular Push Pad range can be provided with a microswitch contained in the operating mechanism (Additional cost).
- If required please specify at the time of ordering.

### Outside access

- Optional outside access devices are available to provide entry from the outside (See page 12-13 for further information).



## Finishes

### Powder coated finishes

Silver EPS (20)

Black EPB (01)

White EPW (25)

### Plated finishes

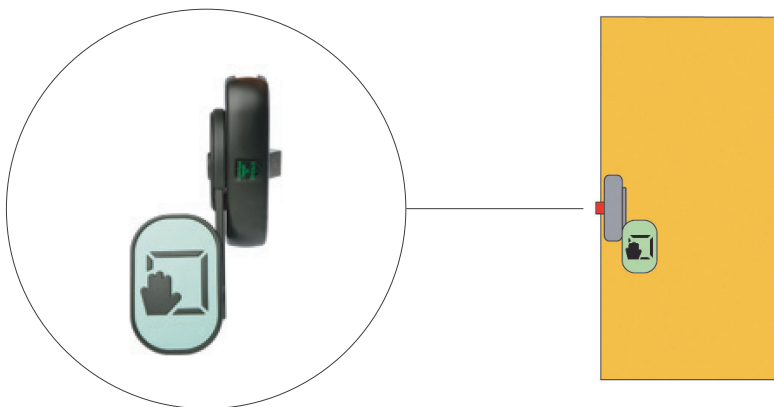
Satin Stainless Steel Plated SSSP (44)

\*Polished Brass Plated BP (43)

\*Polished Stainless Steel Plated PSSP (55)

\* Various other RAL colours and plated finishes are available to special order. Please contact us to enquire.

### PH352 Single Push Pad Latch



### PH356 3 Point Push Pad Bolt



### PH358 3 Point Push Pad Latch

