

TOUCH BAR RANGE



Strand Antipanic Touch Bar Range

- The touch bar panic exit range comprises a full width touch bar and modular components.
- The range offers a large degree of flexibility and can provide 1, 2 and 3 point latches (with horizontal or side entry Pullman latches) and 2 or 3 point bolts (with vertical pullman latches) and is supplied with dogging as standard (can be provided without if required).
- Standard size touch bar, 840mm, is suitable for doors up to 860mm wide, for doors exceeding these dimensions extra wide touch bars of 1170mm and 1300mm are available.

Application

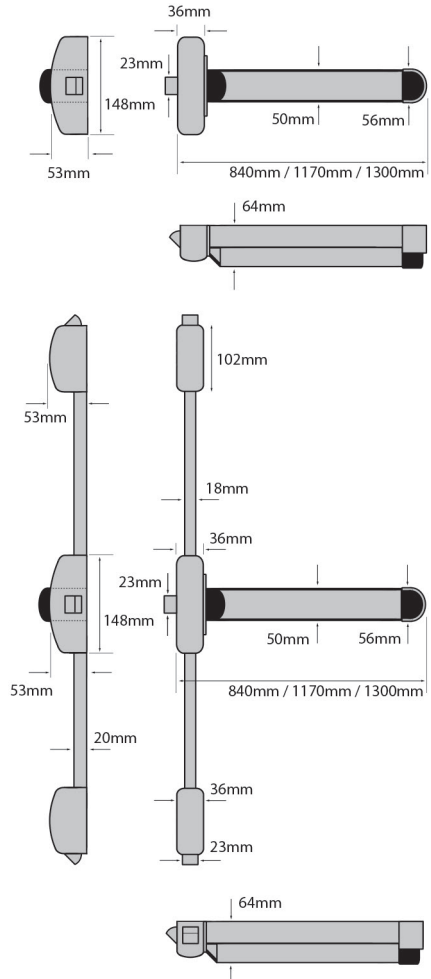
- Supplied with striker plates for timber doors as standard.
- Strikers also available for PVC-U, Aluminium and Steel doors (Please specify when ordering).

Dogging facility:

Dogging should not be used on the fire/smoke door assemblies

- The touch bar range is supplied with dogging (hold open facility) as standard, it can be supplied without if required.
- Can only be used on escape doors.

Technical Drawings



Technical drawings applicable to PHT50, PHT55, PHT57



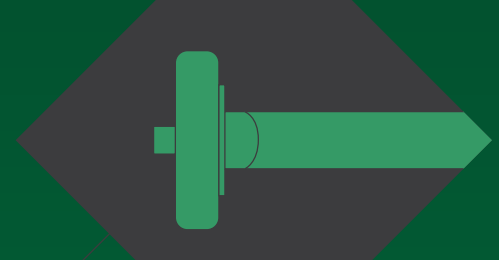
All Panic Hardware devices (with full width crossarm) have been tested and certified to EN1125 : 2008 (classification 3-7-7-B-1-4-2-2-B-A)

Microswitch

- The Modular Touch Bar range can be provided with a microswitch contained in either the operating mechanism or push bar (Additional cost).
- If required please specify at the time of ordering stating the micro-switch location.

Outside access

- Optional outside access devices are available to provide entry from the outside (See page 12-13 for further information).



Finishes

Powder coated finishes

Silver EPS (20)

Black EPB (01)

White EPW (25)

Silver with Green crossarm SGN (82)

Black with Green crossarm BGN (81)

White with Green crossarm WGN (85)

Black with SAA crossarm BSR (80)

Other colours (00)

Plated finishes

Satin Stainless Steel Plated SSSP (44)

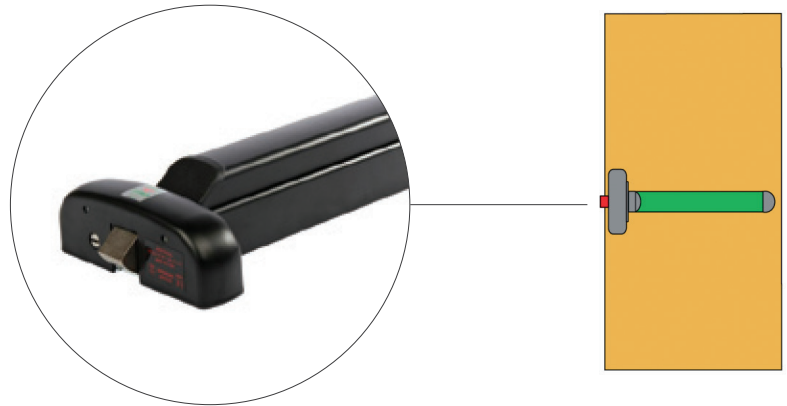
Satin Stainless Steel Plated with Green cross arm SSGN (84)

*Polished Stainless Steel Plated PSSP (55)

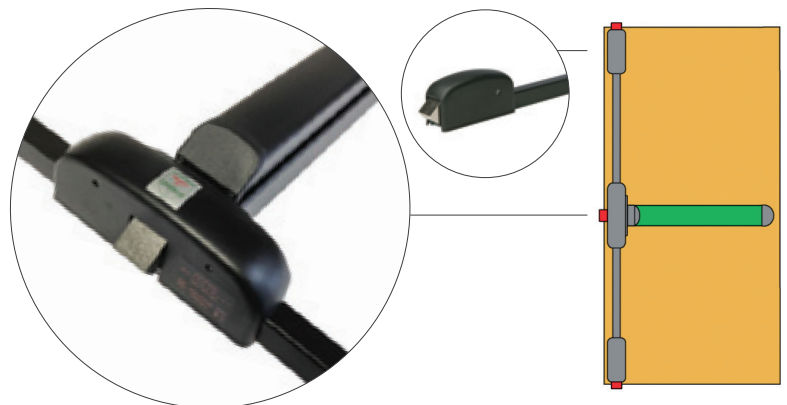
*Polished Brass Plated BP (43)

* Various other RAL colours and plated finishes are available to special order. Please contact us to enquire.

PHT50 Single Point Touch Bar Latch



PHT55 3 Point Touch Bar Bolt



PHT57 3 Point Touch Bar Latch

