

MOTORISED TOUCH BAR RANGE



Strand Antipanic Motorised Touch Bar Range

- Similar in design to the standard touch bar, the motorised touch bar range comprises a full width touch bar and modular components.
- The range offers a large degree of flexibility and can provide 1, 2 and 3 point latches and 2 or 3 point bolts.
- Standard size motorised touch bar, 840mm, is suitable for doors up to 860mm wide, for doors exceeding these dimensions an extra wide touch bar of 1170mm is available.
- Can be connected to a variety of access entry systems such as a digital keypad, proximity reader or swipe card to allow controlled access from outside.
- Operates on 12-30v DC or 12-20v AC.
- 2 amp power supply.

Application

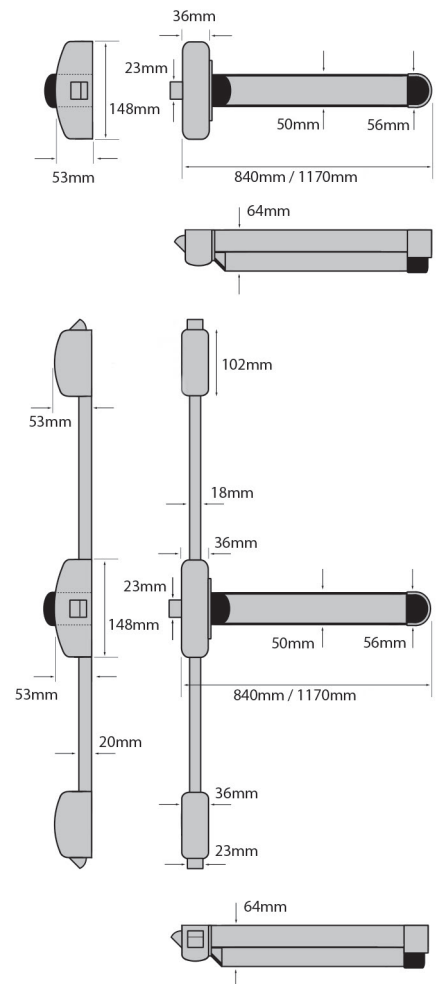
- Supplied with striker plates for timber doors as standard.
- Strikers also available for PVC-U, Aluminium and Steel doors (Please specify when ordering).

Dogging facility:

Dogging should not be used on the fire/smoke door assemblies

- Not supplied as standard but is available with a dogging or holdback facility.
- Can only be used on escape doors.
- If required please specify when ordering.

Technical Drawings



Technical drawings applicable to PHTM50, PHTM55, PHTM57



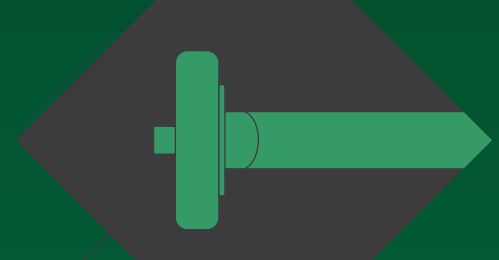
All Panic Hardware devices (with full width touch bar) have been tested and certified to EN1125:2008 (Classification 3-7-7-B-1-4-2-2-B-A)

Microswitch

- The motorised touch bar range can be provided with a microswitch contained in the operating mechanism (Additional cost).
- If required please specify at the time of ordering stating the microswitch location .

Outside access

- Optional outside access devices are available to provide entry from the outside (See page 12-13 for further information).



Finishes

Powder coated finishes

Silver EPS (20)

Black EPB (01)

White EPW (25)

Silver with Green crossarm SGN (82)

Black with Green crossarm BGN (81)

White with Green crossarm WGN (85)

Black with SAA crossarm BSR (80)

Other colours (00)

Plated finishes

Satin Stainless Steel Plated SSSP (44)

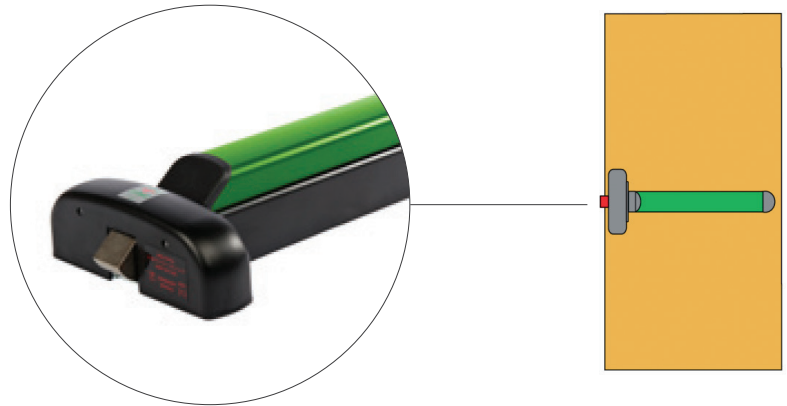
Satin Stainless Steel Plated with Green cross arm SSGN (84)

*Polished Stainless Steel Plated PSSP (55)

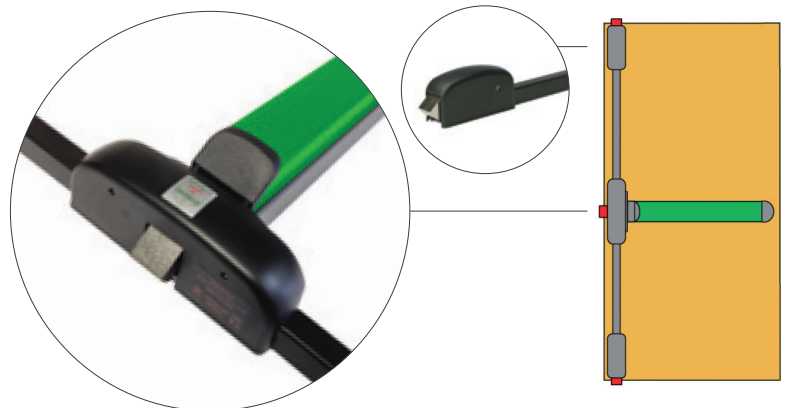
*Polished Brass Plated BP (43)

* Various other RAL colours and plated finishes are available to special order. Please contact us to enquire.

PHTM0 Single Point Motorised Touch Bar Latch



PHTM5 3 Point Motorised Touch Bar Bolt



PHTM7 3 Point Motorised Touch Bar Latch

