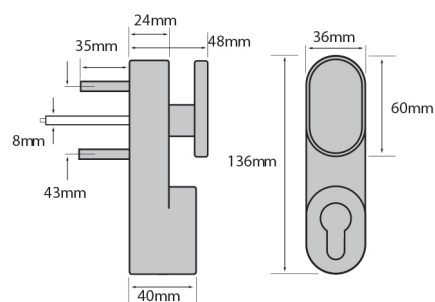
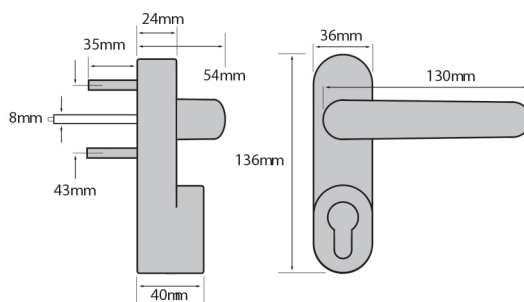


OUTSIDE ACCESS DEVICES

Strand Antipanic outside access devices



Description

- Optional outside access device (OAD) with level handle or knob available for use with modular and touch bar ranges.

Application

- Where outside access is required two threaded screws allow the centre mechanism of the device and outside access to be bolted securely together.
- Standard spindle suitable for doors up to 100mm thick.
- OAD comes complete with a standard 40mm half Euro cylinder as standard.
- In addition to the standard type of OAD a key retaining version is available (key can only be withdrawn in the locked position).
- Keyed alike and high security options available to order.

Powder coated finishes	Plated finishes
Silver EPS (20) Black EPB (01) White EPW (25)	Satin Stainless Steel Plated SSSP (44)

Other RAL colours and plated finishes available to special order

PH361-01	With lever handle Complete with standard cylinder
PH361-02	With lever handle Key retaining version Complete with standard cylinder
PH371-01	With lever handle Complete with standard cylinder
PH371-02	With lever handle Key retaining version Complete with standard cylinder