

The door rests on the bottom pivot in this application. This reduces the stress on the frame by distributing the weight of the door throughout the floor and structure. By taking advantage of the strength of the structure, this makes a pivot the ideal solution for your heavy doors. Center and pocket pivots also provide an aesthetic option for your opening.

Pivots Table Of Contents

	page
General Information	A32
Selection Chart and Parts Reference	A32
How To Order	A33
7212 3/4" Offset	A34
7212V 3/4" Offset	A34
7215, 7215F 3/4" Offset	A35
7222 3/4" Offset	A36
7226, 7226F 3/4" Offset	A37
7227, 7227F 3/4" Offset	A38
7230F 3/4" Offset	A39
7237F 3/4" Offset	A40
7244F 1-1/2" Offset	A41
7245F 1-1/2" Offset	A42
7212-722V-7222 INT Intermediate	A43
7215-7226-7227 INT Intermediate	A43
7215F-7226F-7227F INT... Intermediate	A43
7230F-7237F INT Intermediate	A44
7244F-7245F INT Intermediate	A44
7215PT-7226PT-7227PT .. Intermediate, Electrified	A45
7253 Center Hung	A46
7255 Center Hung	A47
7255J Center Hung	A47
7256 Center Hung	A48
7259 Center Hung	A49

Pocket Pivots

91105.....	A50
91105F	A50



7200 Series Pivots

General Information:

Complete line of 3/4" offset, 1-1/2" offset, center hung, intermediate and power transfer pivots with all exposed parts made of brass or stainless steel for maximum corrosion resistance.

High strength brass and stainless steel forgings, and castings for rated and non-rated doors combined with precision bearings for smooth operation.

Stainless steel machine screws and wood screws standard. Positive locking vertical adjustment mechanism allows the installer to precisely position the door and balance the load.

Last digit in pivot set number reflects the maximum door weight in hundreds of pound, e.g., 7215 = 500 pounds. For sets designated as "heavy duty", add 1,000 pounds, e.g., 7237F HD set = 1700 pounds. Pivots for lead lined doors are available, consult factory.

7200 series Pivot Selection Chart

Pivot Set	Pivot Type	Bottom Mounting Style	UL Listing	Max. Door Weight	Handing	When Ordering Separate Parts		
						Top	Bottom	Intermediate
7212	3/4" Offset	Jamb Mounted	none	200	LH or RH	7212-7215-7222-7226-7227 TOP	7212 BTM	7212-7212V-7222 INT
7212V	3/4" Offset	Jamb Mounted	none	200	LH or RH	7212V TOP	7212 BTM	7212-7212V-7222 INT
7215	3/4" Offset	Jamb Mounted	20 Minute	500	LH or RH	7212-7215-7222-7226-7227 TOP	7215 BTM	7215-7226-7227 INT
7215F	3/4" Offset	Jamb Mounted	3 Hour	500	LH or RH	7215F-7226F-7227F TOP	7215F BTM	7215F-7226F-7227F INT
7222	3/4" Offset	Floor Mounted	none	200	LH or RH	7212-7215-7222-7226-7227 TOP	7222 BTM	7212-7212V-7222 INT
7226	3/4" Offset	Floor Mounted	20 Minute	600	Non-Handed	7212-7215-7222-7226-7227 TOP	7226 BTM	7215-7226-7227 INT
7226F	3/4" Offset	Floor Mounted	3 Hour	600	Non-Handed	7215F-7226F-7227F TOP	7226F BTM	7215F-7226F-7227F INT
7227	3/4" Offset	Mortise Cement Case	20 Minute	700	Non-Handed	7212-7215-7222-7226-7227 TOP	7227 BTM	7215-7226-7227 INT
7227F	3/4" Offset	Mortise Cement Case	3 Hour	700	Non-Handed	7215F-7226F-7227F TOP	7227F BTM	7215-7226-7227 INT
7230F	3/4" Offset	Floor Mounted	3 Hour	1,000	Non-Handed	7230F-7237F TOP	7230F BTM	7215F-7226F-7227F INT
7237F	3/4" Offset	Mortise Cement Case	3 Hour	1,750	Non-Handed	7230F-7237F TOP	7237F BTM	7230F-7237F INT
7244F	1-1/2" Offset	Floor Mounted	3 Hour	400	Non-Handed	7244F-7245F TOP	7244F BTM	7230F-7237F INT
7245F	1-1/2" Offset	Mortise Cement Case	3 Hour	500	Non-Handed	7244F-7245F TOP	7245F BTM	7244F-7245F INT
7253	Center Hung	Floor Mounted	none	300	Non-Handed	7253-7255-7255J-7256 TOP	7253 BTM	7244F-7245F INT
7255	Center Hung	Floor Mounted	none	500	Non-Handed	7253-7255-7255J-7256 TOP	7255 BTM	none
7255J	Center Hung	Jamb Mounted	none	500	Non-Handed	7253-7255-7255J-7256 TOP	7255J BTM	none
7256	Center Hung	Mortise Cement Case	none	600	Non-Handed	7253-7255-7255J-7256 TOP	7256 BTM	none
7259	Center Hung	Mortise Cement Case	none	1,000	Non-Handed	7259 TOP	7259 BTM	none

How to Order:

7212 - _____ - **LH** - **US3**

Pivot:

7212
7212V
7215
7215F
7222
7226
7226F
7227
7227F
7230F
7237F
7244F
7245F
7253
7255
7255J
7256
7259

Pivot Style:

Blank Top and bottom set
TOP Top pivot only
BTM Bottom pivot only
INT Intermediate pivot only
PT INT Power transfer intermediate pivot only

Hand:

LH Left hand door
RH Right hand door

Finish:

US3
US4
US10
US10B
US26
US26D
SP4
SP10
SP28
SP313
SPBLK
USP
optional finishes are available, consult factory

A33
Hinges & Pivots

B
Pulls & Plates

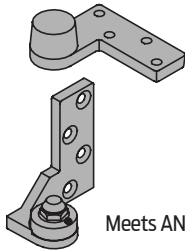
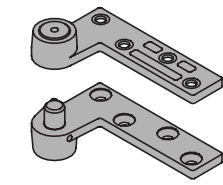
C
Flush Bolts & Coordinators

D
Latches, Catches & Bolts

E
Stops

F
Exterior Hardware

G
Miscellaneous Hardware

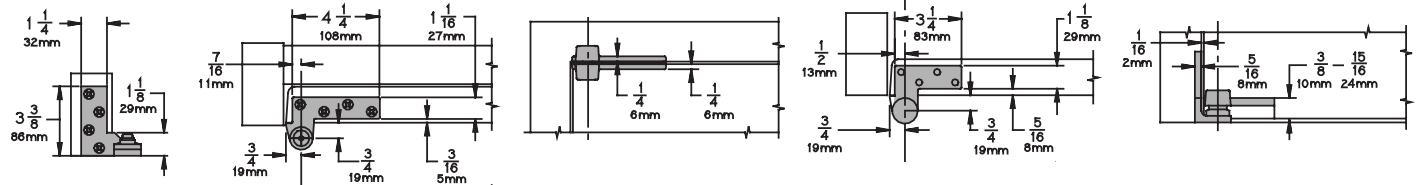


Meets ANSI/BHMA A156.4 C07131

7212 3/4" Offset Pivot

- Handed
- Top, header mount
- Bottom, jamb mount
- Use with 1-3/4" minimum door thickness, with 1/8" bevel in 2"
- Maximum door load 200 pounds
- Vertical adjustment range 3/16", with positive locking

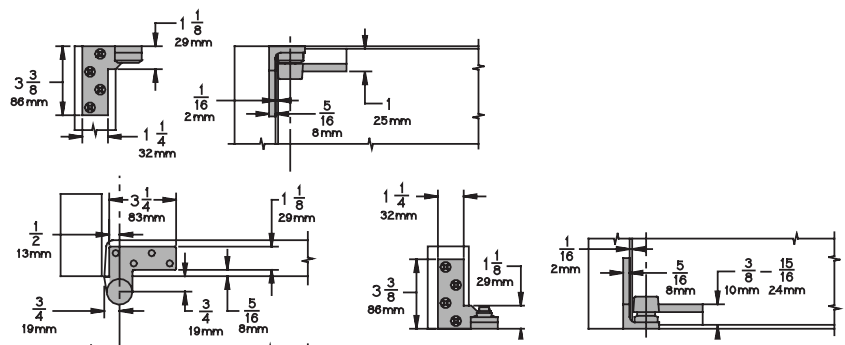
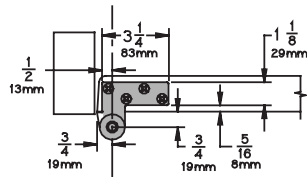
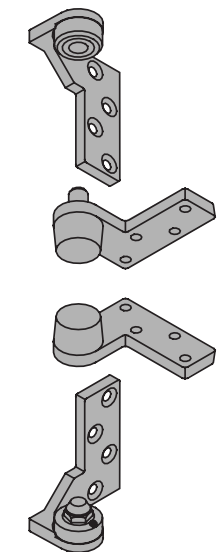
Optional 7212-7212V-7222 Intermediate Pivot (handed) for each additional 100 pounds or doors over 7'. See page A47.



7212V 3/4" Offset Pivot

- Handed
- Top, jamb mount
- Bottom, jamb mount
- Use with 1-3/4" minimum door thickness, with 1/8" bevel in 2"
- Maximum door load 200 pounds
- Vertical adjustment range 3/16", with positive locking

Optional 7212-7212V-7222 Intermediate Pivot (handed) for each additional 100 pounds or doors over 7'. See page A47.

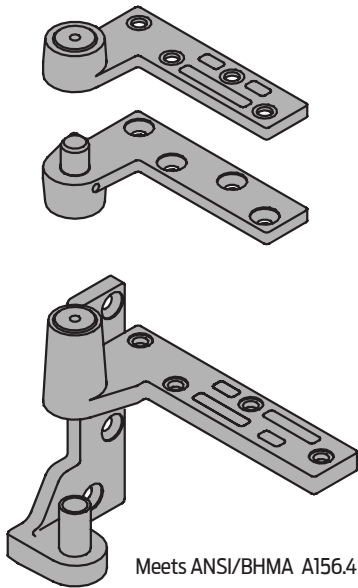


Plated Finishes *brass*

US Number	US3	US4	US10	US10B	US26	US26D
BHMA Number	605	606	612	613	625	626

Painted Finishes *brass*

US Number	SP4	SP10	SP28	SP313	SPBLK
BHMA Number	706	691	689	695	622



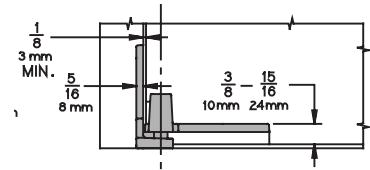
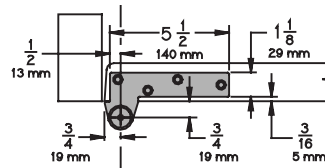
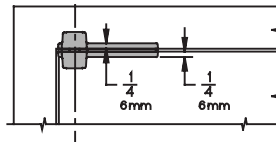
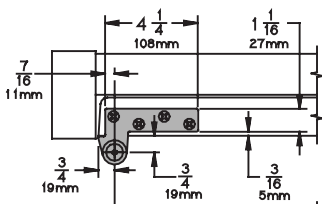
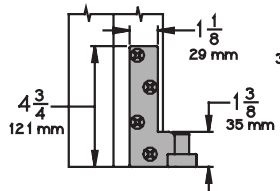
Meets ANSI/BHMA A156.4 C07131

7215 - UL Listed 20 minute fire doors
7215F - UL Listed 3 hour fire doors

7215
7215F 3/4" Offset Pivot

- Handed
- Top, header mount
- Bottom, jamb mount
- Use with 1-3/4" minimum door thickness, with 1/8" bevel in 2"
- Maximum door load 500 pounds
- Vertical adjustment range 3/16", with positive locking
- WP - optional weather resistant bottom pivot is modified for improved corrosion resistance. Available in US26D (626) or US32D (630) only.

Optional 7215-7226-7227 or 7215F-7226F-7227F Intermediate Pivot (handed) for each additional 100 pounds or doors over 7'. See page A47.
Optional 7215PT Power Transfer, non-load bearing. See page A49



7215

Plated Finishes brass

US Number	US3	US4	US10	US10B	US26	US26D
BHMA Number	605	606	612	613	625	626

Painted Finishes brass

US Number	SP4	SP10	SP28	SP313	SPBLK
BHMA Number	706	691	689	695	622

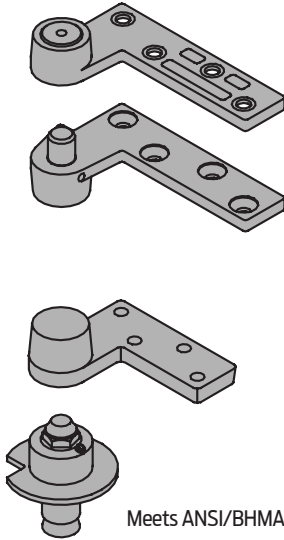
7215F

Plated Finishes steel

US Number	US3	US10	US32	US32D
BHMA Number	632	639	629	630

Painted Finishes steel

US Number	SP4	SP10	SP28	SP313	SPBLK
BHMA Number	706	691	689	695	622

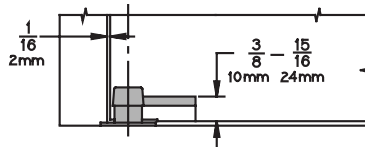
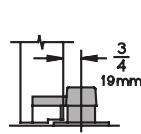
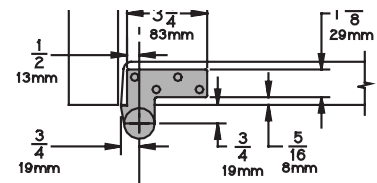
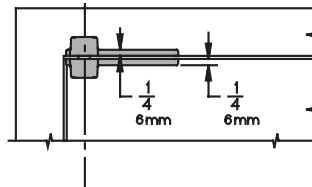
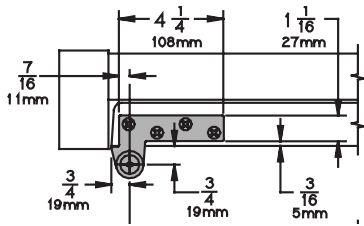


7222 3/4" Offset Pivot

- Handed
- Top, header mount
- Bottom, base plate mount
- Use with 1-3/4" minimum door thickness, with 1/8" bevel in 2"
- Maximum door load 200 pounds
- Vertical adjustment range 3/16", with positive locking

Optional 7212-7212V-7222 Intermediate Pivot (handed) for each additional 100 pounds or doors over 7'. See page A47.

Meets ANSI/BHMA A156.4 C07162

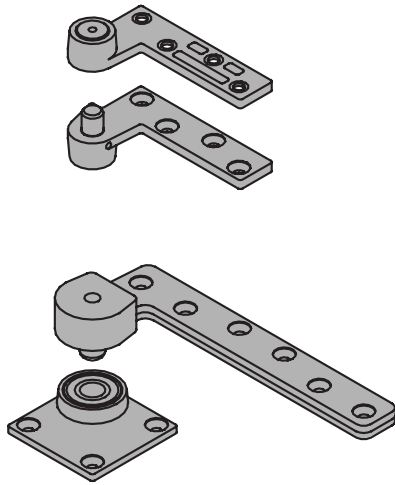


Plated Finishes *brass*

US Number	US3	US4	US10	US10B	US26	US26D
BHMA Number	605	606	612	613	625	626

Painted Finishes *brass*

US Number	SP4	SP10	SP28	SP313	SPBLK
BHMA Number	706	691	689	695	622



Meets ANSI/BHMA A156.4 C07162

7226 - UL Listed 20 minute fire doors

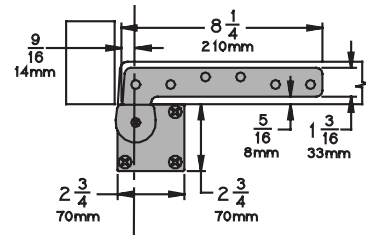
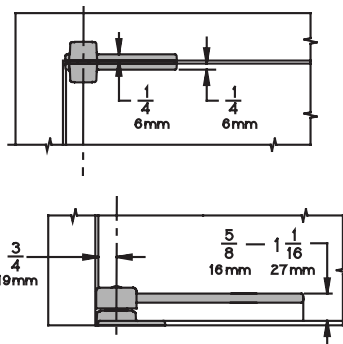
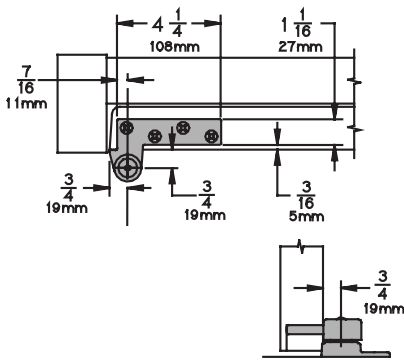
7226F - UL Listed 3 hour fire doors

7226
7226F 3/4" Offset Pivot

- Non-handed
- Top, header mount
- Bottom, base plate mount
- Use with 1-3/4" minimum door thickness, with 1/8" bevel in 2"
- Maximum door load 600 pounds
- Vertical adjustment range 3/16", with positive locking

Optional 7215-7226-7227 or 7226F-722 Intermediate Pivot (handed) for each additional 100 pounds or doors over 7'. See page A47.

Optional 7226PT Power Transfer (four wires), non-load bearing. See page A49



7226

Plated Finishes *brass*

US Number	US3	US4	US10	US10B	US26	US26D
BHMA Number	605	606	612	613	625	626

Painted Finishes *brass*

US Number	SP4	SP10	SP28	SP313	SPBLK
BHMA Number	706	691	689	695	622

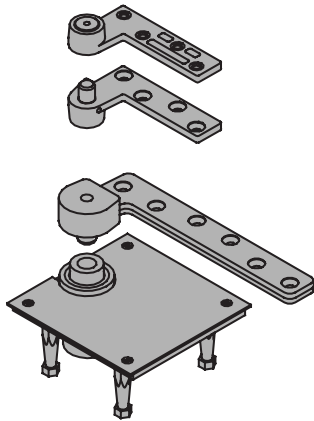
7226F

Plated Finishes *steel*

US Number	US3	US10	US32	US32D
BHMA Number	632	639	629	630

Painted Finishes *steel*

US Number	SP4	SP10	SP28	SP313	SPBLK
BHMA Number	706	691	689	695	622



Meets ANSI/BHMA A156.4 C07121

7227 - UL Listed 20 minute fire doors

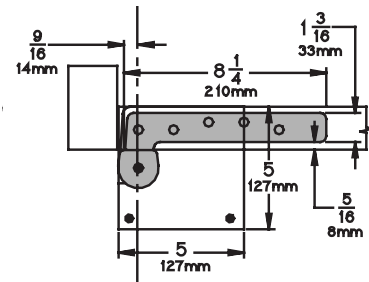
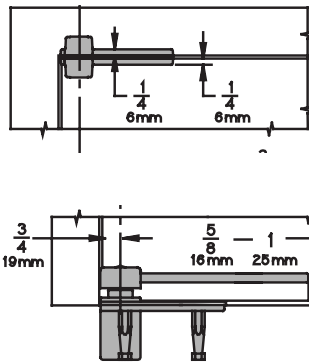
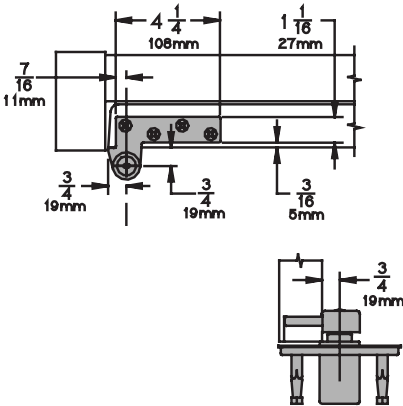
7227F - UL Listed 3 hour fire doors

7227 7227F 3/4" Offset Pivot

- Non-handed
- Top, header mount
- Bottom, base plate mount
- Use with 1-3/4" minimum door thickness, with 1/8" bevel in 2"
- Maximum door load 700 pounds
- Vertical adjustment range 3/16", with positive locking

Optional 7215-7226-7227 or 7215F-7226F-7227F Intermediate Pivot (handed) for each additional 100 pounds or doors over 7'. See page A47.

Optional 7227PT Power Transfer (four wires), non-load bearing. See page A49.



7227

Plated Finishes *brass*

US Number	US3	US4	US10	US10B	US26	US26D
BHMA Number	605	606	612	613	625	626

Painted Finishes *brass*

US Number	SP4	SPT0	SP28	SP313	SPBLK
BHMA Number	706	691	689	695	622

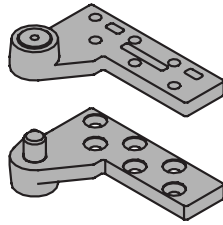
7227F

Plated Finishes *steel*

US Number	US3	US10	US32	US32D
BHMA Number	632	639	629	630

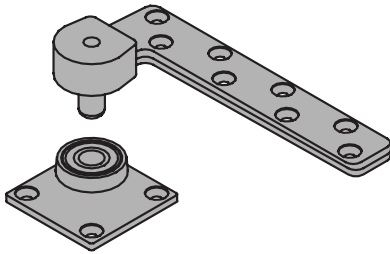
Painted Finishes *steel*

US Number	SP4	SPT0	SP28	SP313	SPBLK
BHMA Number	706	691	689	695	622



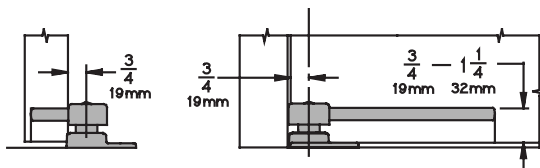
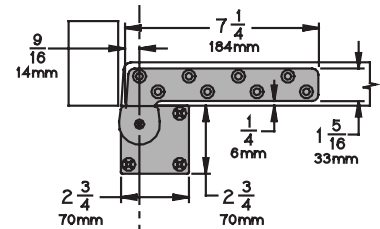
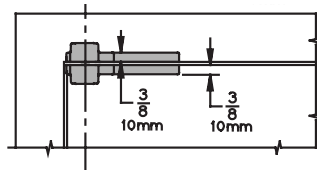
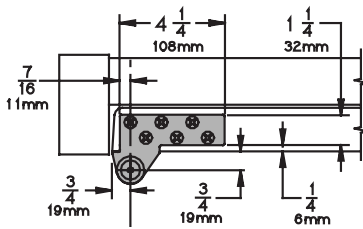
7230F 3/4" Offset Pivot - Heavy Duty

- Non-Handed
- Top, header mount
- Bottom, base plate mount
- Use with 1-3/4" minimum door thickness, with 1/8" bevel in 2"
- Maximum door load 1,000 pounds
- Vertical adjustment range 3/16", with positive locking



Optional 7230F-7237F Intermediate Pivot (handed) for each additional 100 pounds or doors over 7'. See page A48.

Meets ANSI/BHMA A156.4 C07162
UL Listed 3 Hour Fire Doors

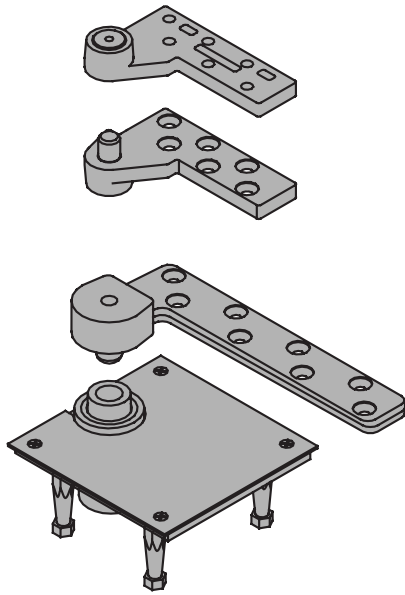


Plated Finishes steel

US Number	US3	US10	US32	US32D
BHMA Number	632	639	629	630

Painted Finishes steel

US Number	SP4	SP10	SP28	SP313	SPBLK
BHMA Number	706	691	689	695	622

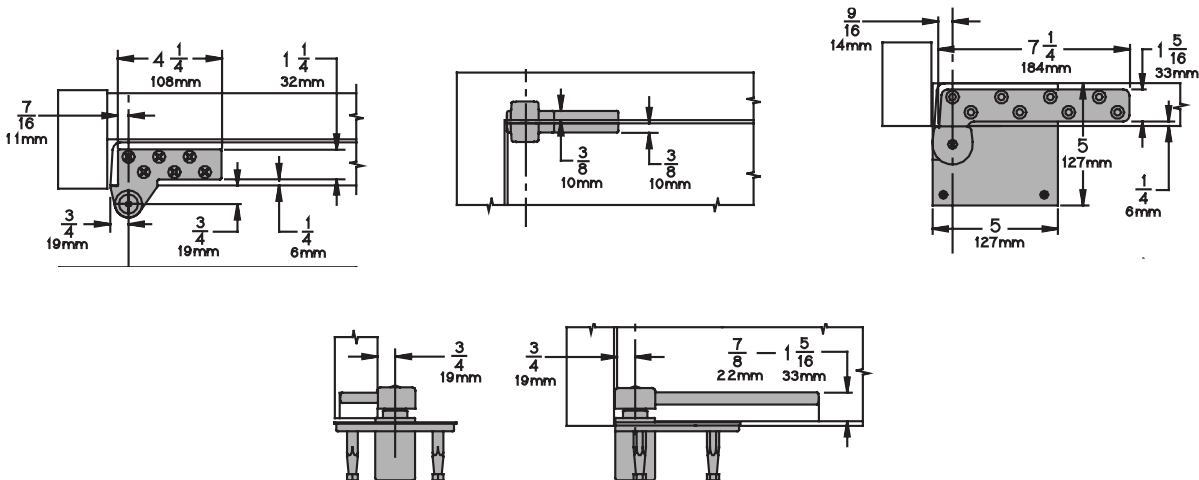


7237F 3/4" Offset Pivot - Heavy Duty

- Non-Handed
- Top, header mount
- Bottom, mortised cement case mount
- Use with 1-3/4" minimum door thickness, with 1/8" bevel in 2"
- Maximum door load 1,750 pounds
- Vertical adjustment range 3/16", with positive locking

Optional 7230F-7237F Intermediate Pivot (handed) for each additional 100 pounds or doors over 7'. See page A48.

Meets ANSI/BHMA A156.4 C07111
UL Listed 3 Hour Fire Doors

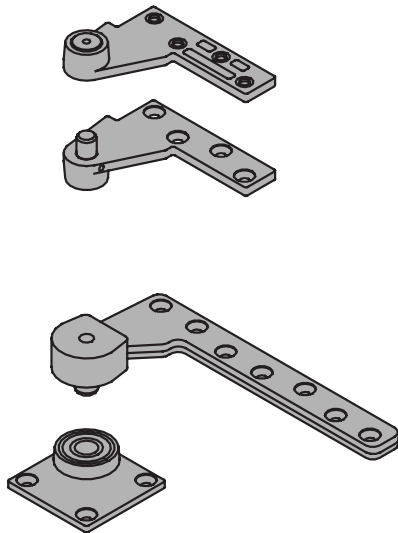


Plated Finishes *steel*

US Number	US3	US10	US32	US32D
BHMA Number	632	639	629	630

Painted Finishes *steel*

US Number	SP4	SPI0	SP28	SP313	SPBLK
BHMA Number	706	691	689	695	622

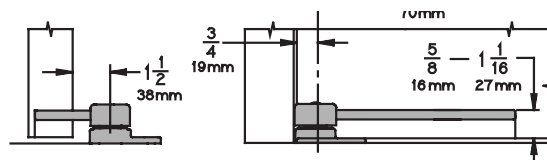
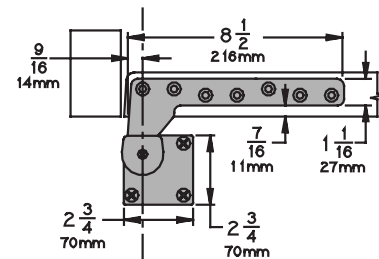
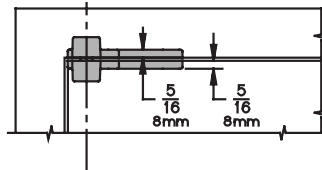
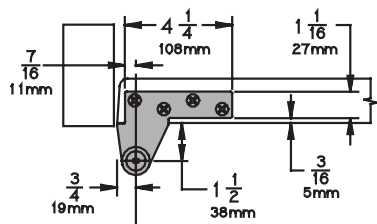


7244F 1-1/2" Offset Pivot - Heavy Duty

- Non-Handed
- Top, header mount
- Bottom, base mount
- Use with 1-3/4" minimum door thickness
- Maximum door load 400 pounds
- Vertical adjustment range 3/16", with positive locking

Optional 7244F-7245F Intermediate Pivot (handed) for each additional 100 pounds or doors over 7'. See page A48.

Meets ANSI/BHMA A156.4 C07162
UL Listed 3 Hour Fire Doors

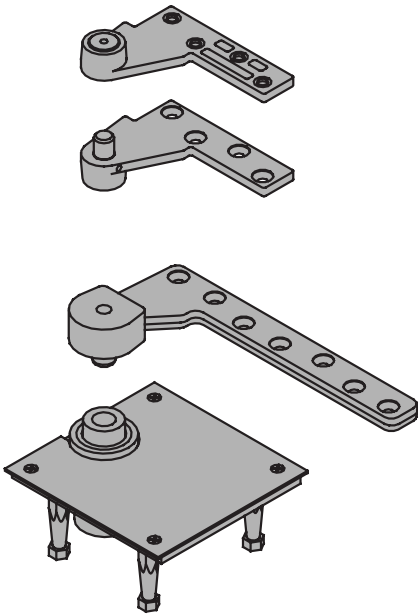


Plated Finishes steel

US Number	US3	US10	US32	US32D
BHMA Number	632	639	629	630

Painted Finishes steel

US Number	SP4	SP10	SP28	SP313	SPBLK
BHMA Number	706	691	689	695	622

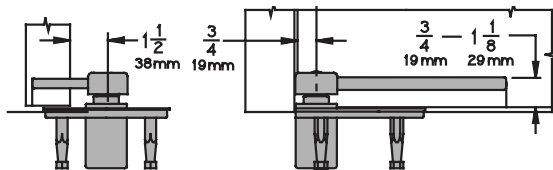
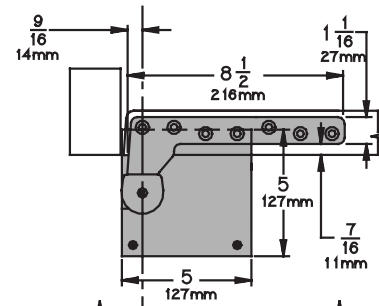
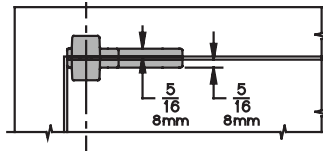
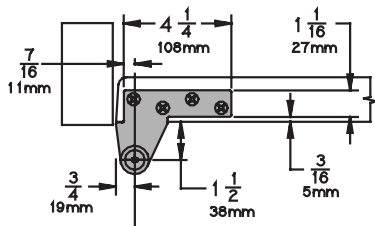


7245F 1-1/2" Offset Pivot - Heavy Duty

- Non-Handed
- Top, header mount
- Bottom, mortised cement case mount
- Use with 1-3/4" minimum door thickness, with 1/8" bevel in 2"
- Maximum door load 500 pounds
- Vertical adjustment range 3/16", with positive locking

Optional 7244F-7245F Intermediate Pivot (handed) for each additional 100 pounds or doors over 7'. See page A48.

Meets ANSI/BHMA A156.4 C07121
 UL Listed 3 Hour Fire Doors



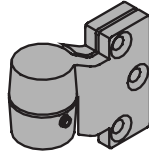
Plated Finishes *steel*

US Number	US3	US10	US32	US32D
BHMA Number	632	612	629	630

Painted Finishes *steel*

US Number	SP4	SP10	SP28	SP313	SPBLK
BHMA Number	706	691	689	695	622

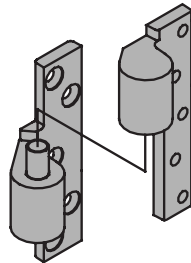
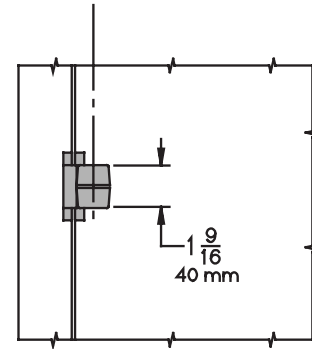
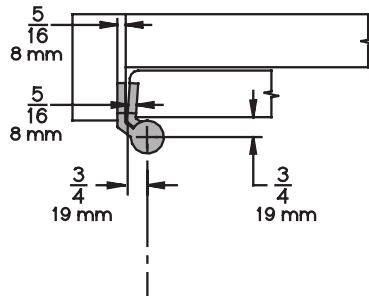
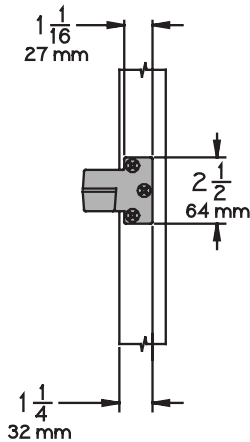
NFPA 80, Section 3-3.8 requires intermediate pivot on some fire door applications, consult factory. Use for door heights over 7'0" and one every 2'6" or . Use for door weight over the pivot set limit. One additional for every additional 100 pounds. Door thickness 1-3/4" minimum with 1/8" bevel in 2".



Meets ANSI/BHMA A156.4 C07382

7212-7212V-7222 INT

- Use with 7212, 7212V or 7222 3/4 Offset Pivot
- Handed
- Vertical adjustment 3/16", include positive locking.



7215-7226-7227 INT:
UL listed 20 minute fire doors
Meets ANSI/BHMA A156.4 C07321

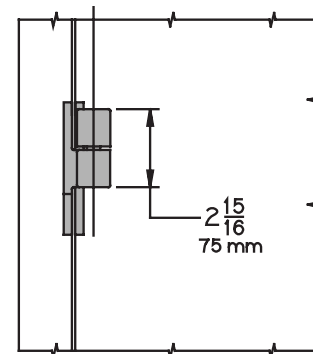
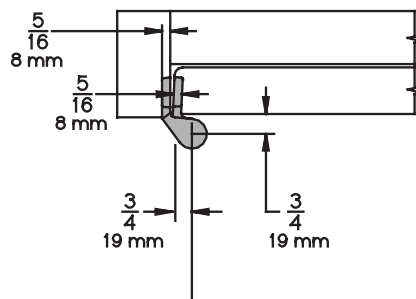
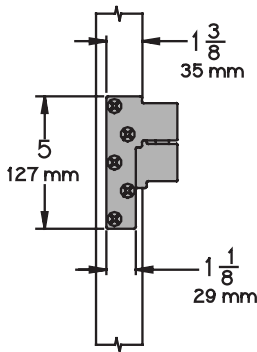
7215-7226-7227 INT

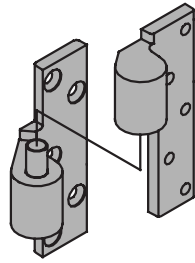
- Use with 7215, 7226 or 7227 3/4 Offset Pivot
- Handed
- Vertical adjustment 3/16", include positive locking.

7215F-7226F-7227F INT:
UL listed 3 hour fire doors
Meets ANSI/BHMA A156.4 C07371

7215F-7226F-7227F INT

- Use with 7215F, 7226F or 7227F 3/4 Offset Pivot
- Handed
- Vertical adjustment 3/16", include positive locking.

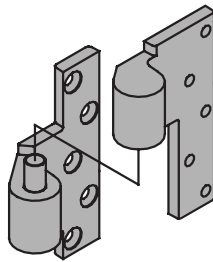
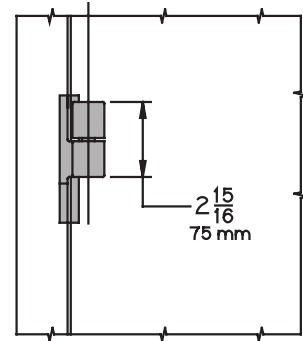
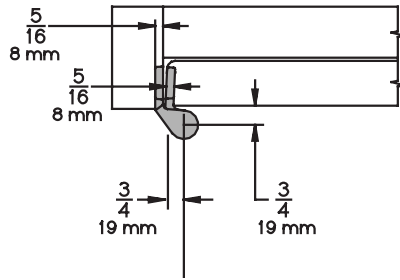
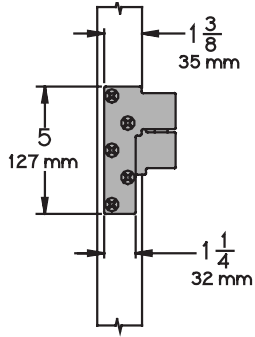




7230F-7237F INT

- Use with 7230F or 7237F 3/4 Offset Pivot
- Handed
- Vertical adjustment 3/16", include positive locking.

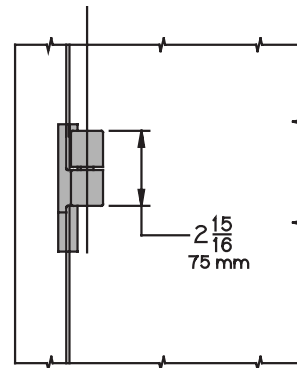
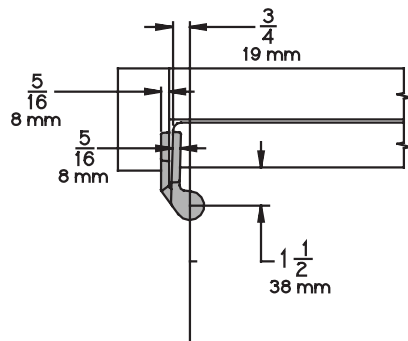
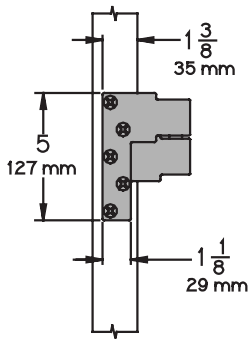
UL listed 3 hour fire doors
Meets ANSI/BHMA A156.4 C07311

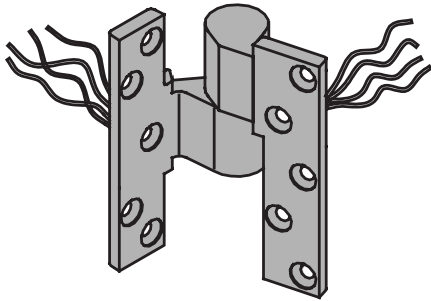


7244F-7245F

- Use with 7244F or 7245F 1-1/2" Offset Pivot
- Handed
- Vertical adjustment 3/16", include positive locking.

UL listed 3 hour fire doors
Meets ANSI/BHMA A156.4 C07371





7215PT-7226PT-7227PT Power Transfer Pivot

- Use with 7215, 7226 or 7227 3/4" Offset Pivots
- Four wires, 28 gauge
- Optional 8 wire available
- Rated 50 VDC or VAC @ 3.5 amps. Continuous or 16 amps pulse, maximum pulse 400 milliseconds.
- Non-load bearing
- Use with 1-3/4" thick door minimum, 1/8" bevel in 2".

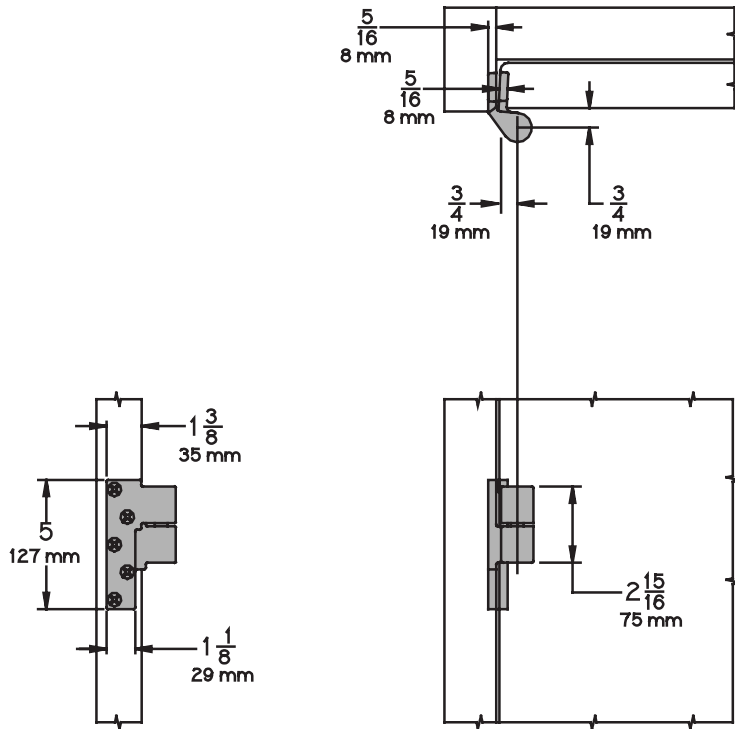


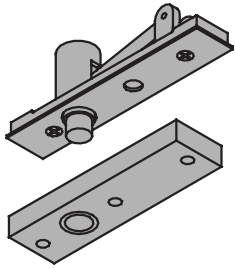
Plate Finishes *brass*

US Number	US3	US4	US10	US10B	US26	US26D
BHMA Number	605	606	612	613	625	626

Painted Finishes *brass*

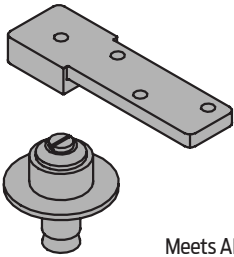
US Number	SP4	SPI0	SP28	SP313	SPBLK
BHMA Number	706	691	689	695	622

A45
 Hinges & Pivots
B
 Pulls & Plates
C
 Flush Bolts & Coordinators
D
 Latches, Catches & Bolts
E
 Stops
F
 Exterior Hardware
G
 Miscellaneous Hardware



7253 Center Hung Pivot

- Non-Handed
- Top, header mount
- Bottom, base plate mount
- Easy installation tilt on bearing and bearing pin.
- Use with 1-3/4" minimum door thickness.
- Adjustable floor to door clearance 3/16" to 3/4".
- Maximum door load 300 pounds
- Vertical adjustment range 3/16", with positive locking



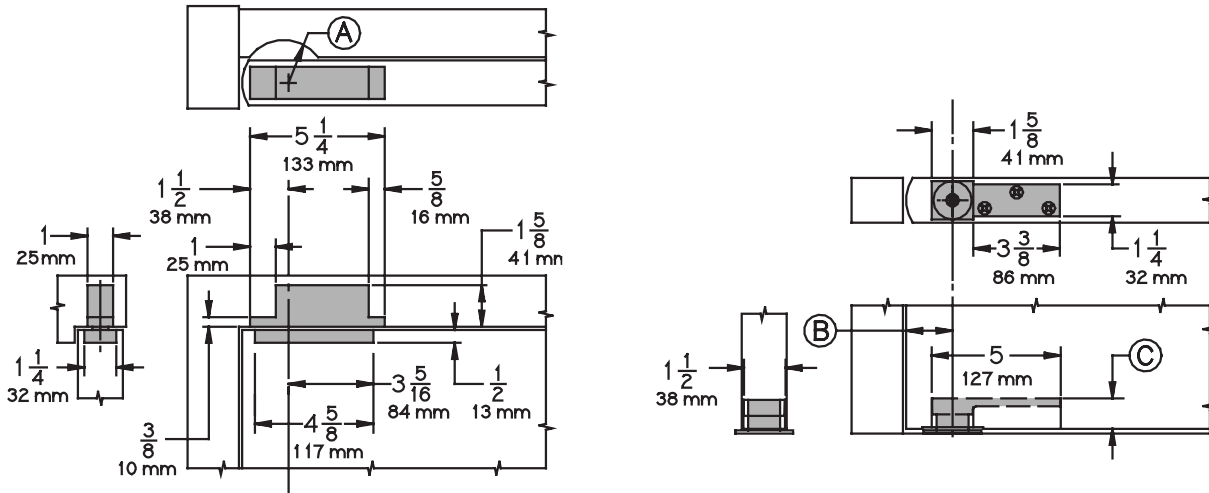
Meets ANSI/BHMA A156.4 C07032

Plated Finishes *brass*

US Number	US3	US4	US10	US10B	US26	US26D
BHMA Number	605	606	612	613	625	626

Painted Finishes *brass*

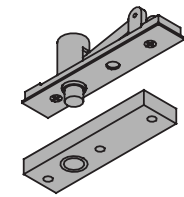
US Number	SP4	SP10	SP28	SP313	SPBLK
BHMA Number	706	691	689	695	622



- Radius Stop (A) to clear heel of door edge.
- Pivot distance (B) 1-3/4" (44mm) minimum from jamb to centerline of pivot pin. Radius heel edge of door, 1-5/8" (41mm) minimum recommended.
- Clearance from bottom edge of door to floor mounting surface is adjustable from 3/16" (5mm) to 3/4" (19mm) by varying the depth of the mortise (C) in the bottom of the door, refer to Chart D. Consult factory when clearance is over 3/4" (19mm).

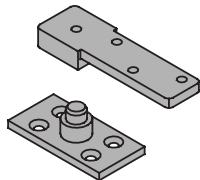
Table D

Clearance	Depth of Mortise
3/16" (5mm)	1-3/16" (30mm)
3/8" (10mm)	1" (25mm)
1/2" (13mm)	7/8" (22mm)
5/8" (16mm)	3/4" (19mm)
3/4" (19mm)	5/8" (16mm)

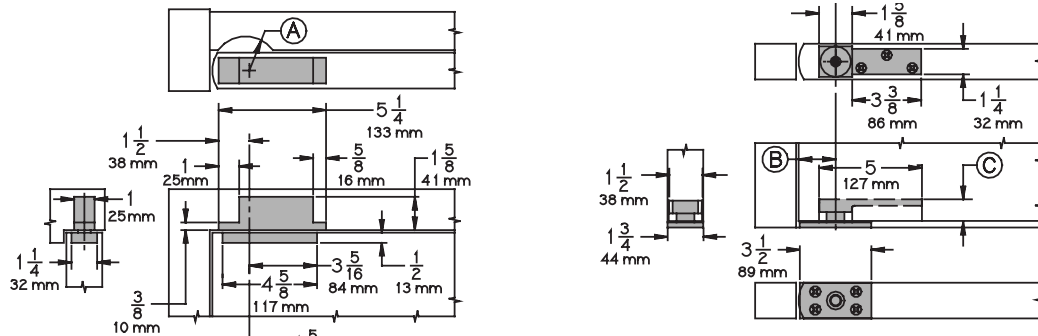


7255 Center Hung Pivot

- Non-Handed
- Top, header mount
- Bottom, base plate mount
- Easy installation tilt on bearing and bearing pin.
- Use with 1-3/4" minimum door thickness.
- Adjustable floor to door clearance 3/16" to 3/4", consultant factory if greater than 3/4"..
- Maximum door load 500 pounds
- Vertical adjustment range 3/16", with positive locking

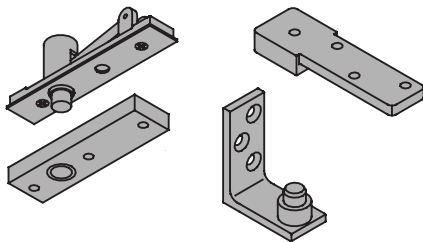


Meets ANSI/BHMA A156.4 C07032



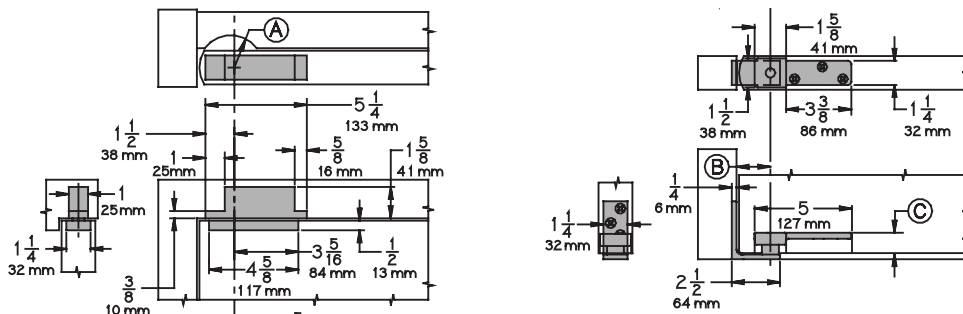
- Radius Stop (A) to clear heel of door edge.
- Pivot distance (B) 1-3/4" (44mm) minimum from jamb to centerline of pivot pin. Radius heel edge of door, 1-5/8" (41mm) minimum recommended.
- Clearance from bottom edge of door to floor mounting surface is adjustable from 3/16" (5mm) to 3/4" (19mm) by varying the depth of the mortise (C) in the bottom of the door, refer to Chart D. Consult factory when clearance is over 3/4" (19mm).

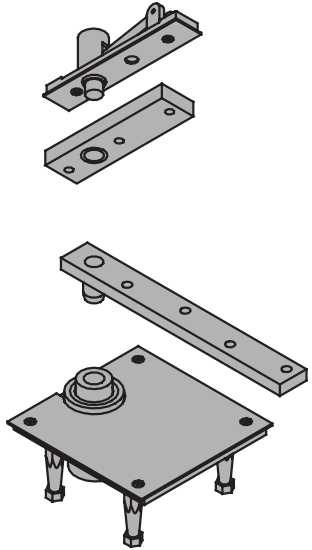
7255J Center Hung Pivot



Meets ANSI/BHMA A156.4 C07042

- Non-Handed
- Top, header mount
- Bottom, jamb mount
- Easy installation tilt on bearing and bearing pin.
- Use with 1-3/4" minimum door thickness.
- Adjustable floor to door clearance 3/16" to 3/4", consult factory if greater than 3/4".
- Maximum door load 500 pounds
- Vertical adjustment range 3/16", with positive locking

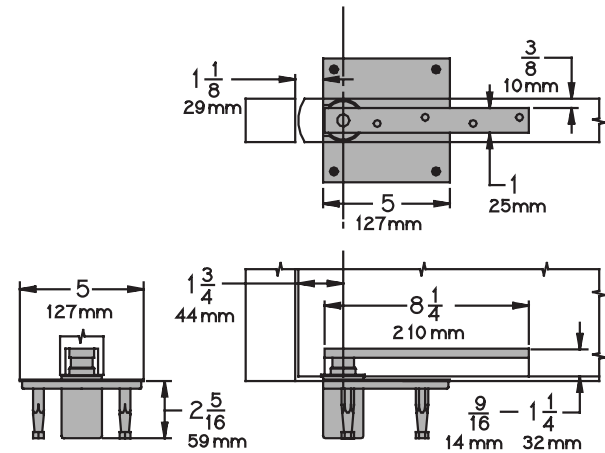
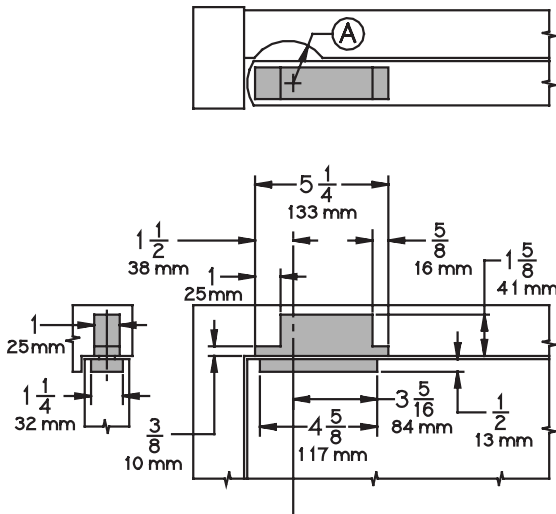




7256 Center Hung Pivot

- Non-Handed
- Top, header mount
- Bottom, base frame mount
- Easy installation tilt on bearing and bearing pin.
- Use with 1-3/4" minimum door thickness.
- Adjustable floor to door clearance 3/16" to 3/4", consult factory if greater than 3/4".
- Maximum door load 600 pounds
- Vertical adjustment range 3/16", with positive locking

Meets ANSI/BHMA A156.4 C07021



- Radius Stop (A) to clear heel of door edge.
- Pivot distance (B) 1-3/4" (44mm) minimum from jamb to centerline of pivot pin. Radius heel edge of door, 1-5/8" (41mm) minimum recommended.
- Clearance from bottom edge of door to floor mounting surface is adjustable from 3/16" (5mm) to 3/4" (19mm) by varying the depth of the mortise (C) in the bottom of the door, refer to Chart D. Consult factory when clearance is over 3/4" (19mm).

Table D

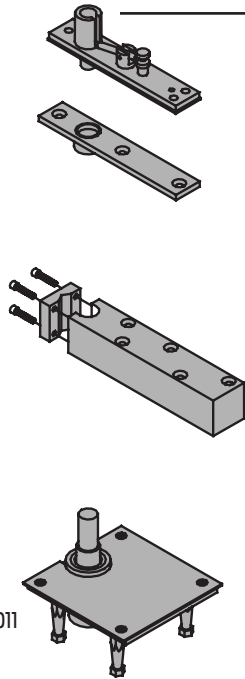
Clearance	Depth of Mortise
3/16" (5mm)	1-3/16" (30mm)
3/8" (10mm)	1" (25mm)
1/2" (13mm)	7/8" (22mm)
5/8" (16mm)	3/4" (19mm)
3/4" (19mm)	5/8" (16mm)

Plated Finishes *brass*

US Number	US3	US4	US10	US10B	US26	US26D
BHMA Number	605	606	612	613	625	626

Painted Finishes *brass*

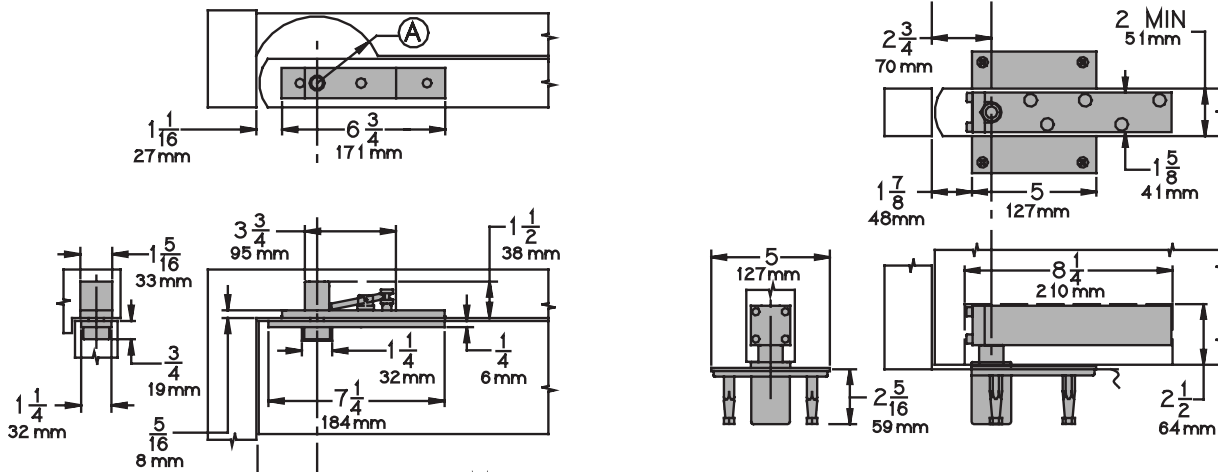
US Number	SP4	SPT0	SP28	SP313	SPBLK
BHMA Number	706	691	689	695	622



7259 Center Hung Pivot

- Non-Handed
- Top, header mount
- Bottom, base frame mount
- Easy installation tilt on bearing and bearing pin.
- Use with 2" minimum door thickness.
- Adjustable floor to door clearance 3/16" to 3/4", consult factory if greater than 3/4".
- Maximum door load 1,000 pounds
- Vertical adjustment range 3/16", with positive locking

Meets ANSI/BHMA A156.4 C07011



- Radius Stop (A) to clear heel of door edge.
- Pivot distance (B) 1-3/4" (44mm) minimum from jamb to centerline of pivot pin. Radius heel edge of door, 1-5/8" (41mm) minimum recommended.
- Clearance from bottom edge of door to floor mounting surface is adjustable from 3/16" (5mm) to 3/4" (19mm) by varying the depth of the mortise (C) in the bottom of the door, refer to Chart D. Consult factory when clearance is over 3/4" (19mm).

Table D

Clearance	Depth of Mortise
3/16" (5mm)	1-3/16" (30mm)
3/8" (10mm)	1" (25mm)
1/2" (13mm)	7/8" (22mm)
5/8" (16mm)	3/4" (19mm)
3/4" (19mm)	5/8" (16mm)

Plated Finishes *brass*

US Number	US3	US4	US10	US10B	US26	US26D
BHMA Number	605	606	612	613	625	626

Painted Finishes *brass*

US Number	SP4	SPT10	SP28	SP313	SPBLK
BHMA Number	706	691	689	695	622

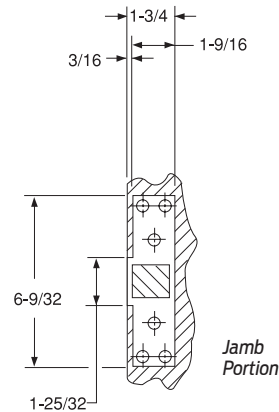
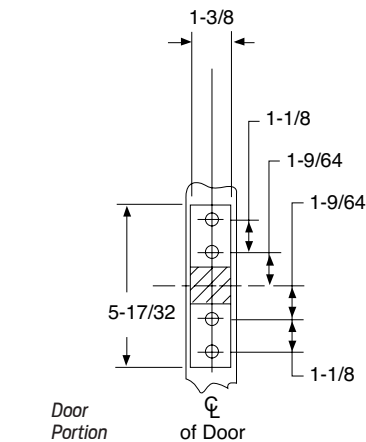
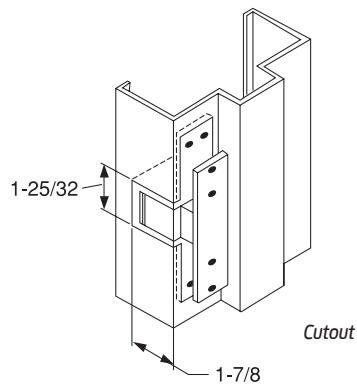
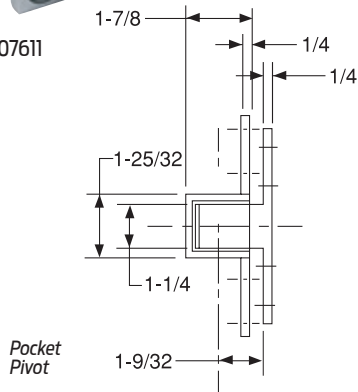


91105F, 91105F-PT Pocket Pivot/Hinge

- Non-handed
- All stainless steel construction.
- Allows door to open a full 90 (* degree mark)
- Full mortise
- 90 pound load bearing
- Use two for doors up to 7'0" and over 7'0" use three.
- PT, Power Transfer version has four 28 gauge wires (contact factory for eight wire version). Rated 50 VOC or VAC @ 3.5 amps. Continuous or 16 amps pulse. Maximum pulse 400 milliseconds.

UL Listed 3 hour fire doors or 20 minute wood fire doors

Meets ANSI/BHMA A156.4 C07611



Plated Finishes *steel*

US Number	US3	US10	US10B
BHMA Number	632	639	640

Painted Finishes *steel*

US Number	USP	SP313
BHMA Number	600	695

Finishes *stainless steel*

US Number	US32	US32D
BHMA Number	629	630