

Securitron® DK-26 Digital Keypad System

*Digital control system for narrow
stile outdoor applications*



The DK-26 digital keypad system provides medium/ high security control of electric locks in one or two door applications where doors have the same control needs.

The fully weatherproof, rugged stainless steel keypad can be mounted in most outdoor environments. Encased in a separate enclosure for secure installation, the full-featured, easy-to-program, DK-26 Controller is ideal for narrow stile applications.

Features

Standard Features

- Cast stainless steel with 11 EPDM rubber keys
- Weatherproof and vandal resistant
- Mounts on a narrow mullion
- Audible keystroke echo
- True 10-key operation (keys are not paired)
- 59 users with multiple entry codes
- User code and hard code disable feature
- Passage Mode and Lockout Mode
- Request to exit (REX) input
- 16 ft. [4.8m], 12 conductor, 22 gauge keypad cable
- 3 LEDs and a bell button
- MagnaCare® lifetime replacement, no fault, no questions asked warranty

Optional Features

- Keypad available as system or separately

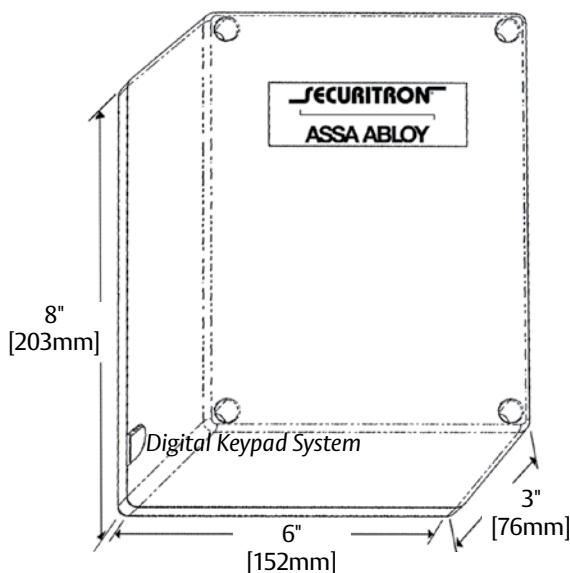
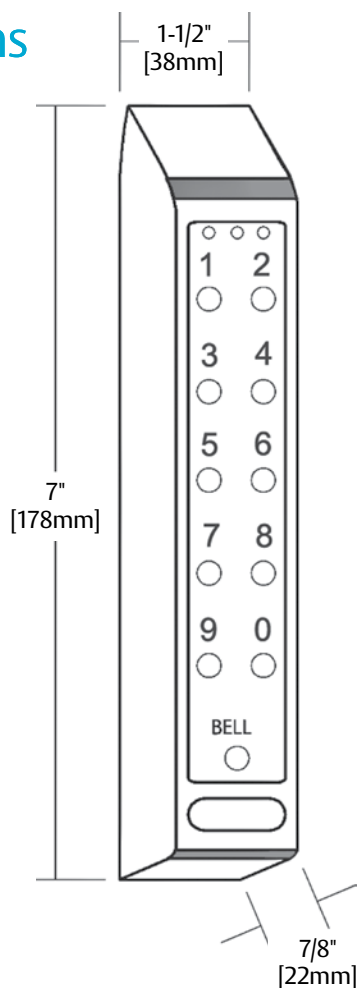


MagnaCare
Warranty



Dual Voltage
12/24

Dimensions



Specifications

Certifications

- CE: EN 50091-1, EN 61000-6-2 Approved

Dimensions

- **Keypad:** 1-1/2"W x 7"H x 7/8"D
- **Enclosure:** 6"W x 8"H x 3"D

Electrical

- 12 VAC/VDC: 7 mA at rest; 160 mA active
- 24 VAC/VDC: 20 mA at rest; 190 mA active

Operating Temperature

- **CPU:** +32 to +158F [0 to +70C]
- **Keypad:** -22 to +158F [-30 to +70C]
Indoor or Outdoor use

Shipping Weight

- 5 lbs [2.27kg]

Accessories

DK26-CPSS Cover Plate

- Allows DK-26 and DK-37 to be mounted over a single gang box
- MagnaCare® lifetime replacement, no fault warranty



DK-26 Cover Plate

How to Order

Model Series	Special Feature	Finish
DK-26	P	BK
DK-26 Keypad	P Keypad only	BK Black Anodized
		SS Stainless Steel