



931029-00

5100

VON DUPRIN®

Electric Strike

Installation Instructions

1. For lock preparation, see lock instructions.
2. Install correct faceplate onto strike (Figure 1).

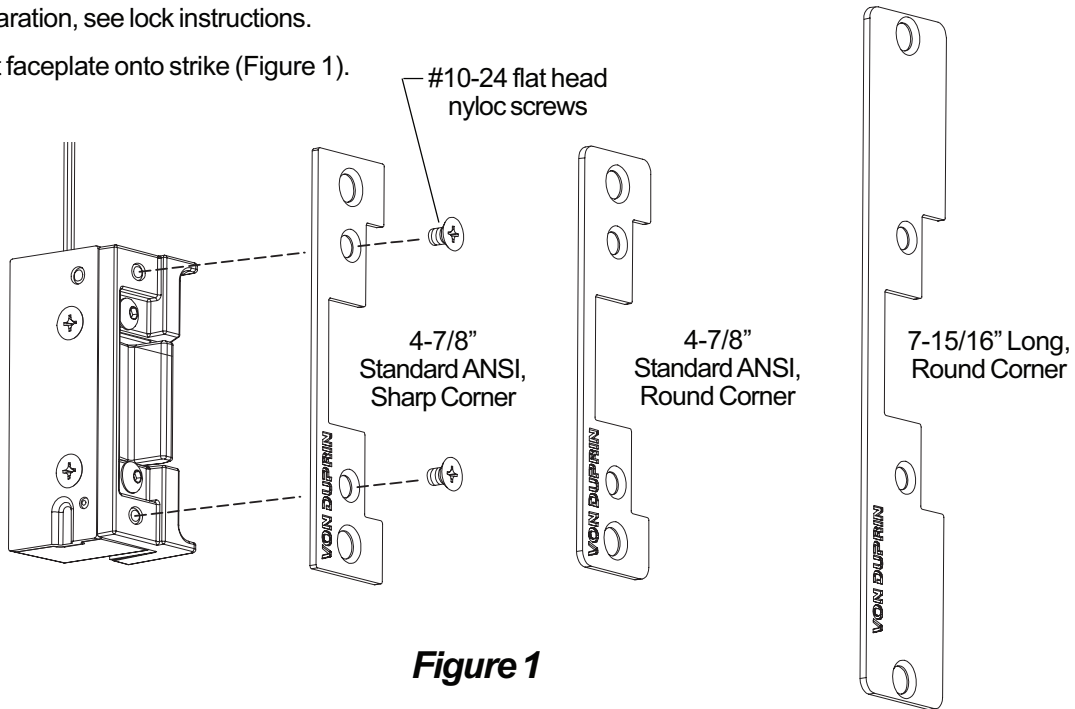


Figure 1

3. Prepare frame for strike (see page 4 for dimensions).
Note: Prepare room for RCP rectifier if needed.
4. Make sure strike operates in correct mode. Lip of fail-safe (FS) strike can be moved when strike is not powered. Lip of fail-secure (FSE) strike cannot be moved when strike is not powered. If necessary, remove backbox cover (Figure 2) and change strike mode by repositioning actuator (Figure 3).

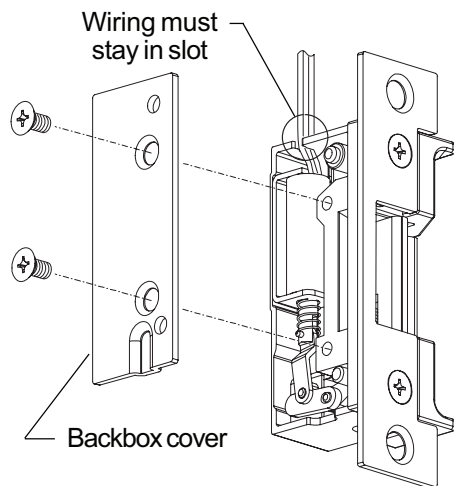
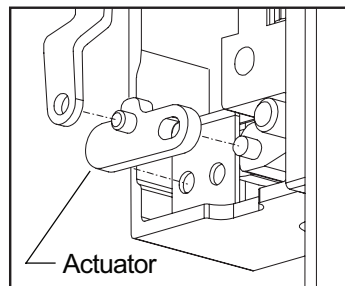


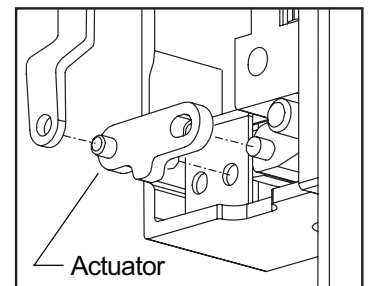
Figure 2

NOTE

When using the electric strike in fail-secure mode, the local authority having jurisdiction shall be consulted to assure compliance in allowing emergency exit from the secured area.



Fail-safe (FS) Mode



Fail-secure (FSE) Mode

Figure 3

5. Check power source voltage (12 or 24 VAC or VDC).
6. When using 12 VAC or 24 VAC power, install SO kit to convert AC power to DC (Figure 4).
7. Wire strike solenoid for proper voltage (Figure 5). **Caution: Do not connect 24 VDC to 12 VDC configured strike.**

For DC operation, Von Duprin PS 861 and Locknetics 593 DC series power supplies are recommended.

For AC operation, Von Duprin SO-12 or 24 AC/DC convertor kit (shown below) is recommended.

SOLENOID POWER REQUIREMENTS

12 VDC, 0.38 A
24 VDC, 0.19 A

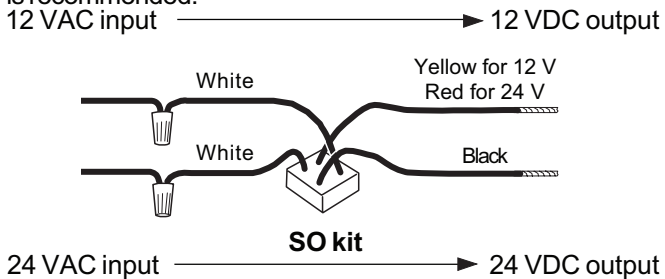
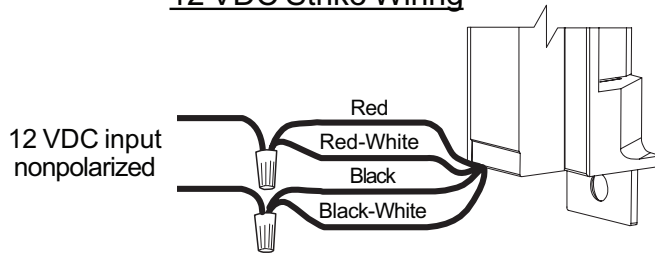


Figure 4

12 VDC Strike Wiring



24 VDC Strike Wiring

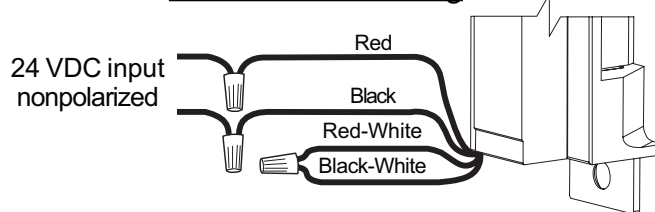


Figure 5

8. Test strike: Apply solenoid power. Fail secure (FSE) lip unlocks. Fail safe (FS) lip locks.
9. If cut-out for strike is too large along edge (Figure 6), cut neoprene filler and stick onto strike as shown (Figure 7). Note: This could occur in some retrofit applications.

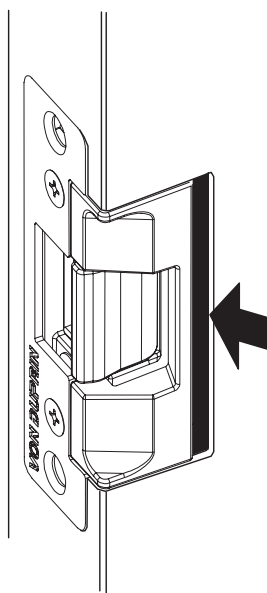


Figure 6

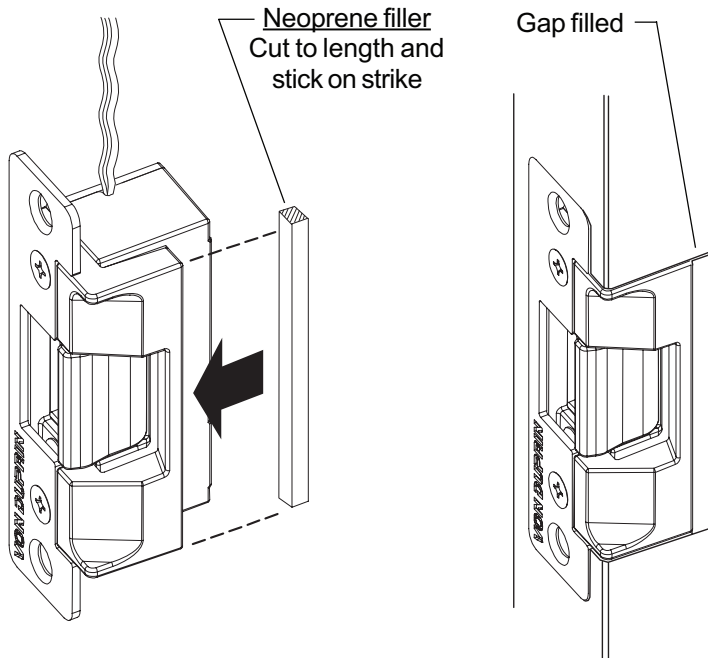
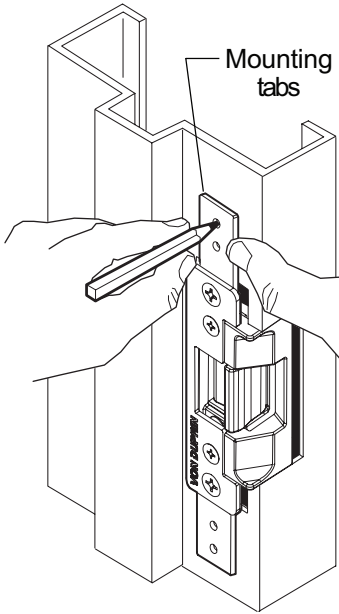


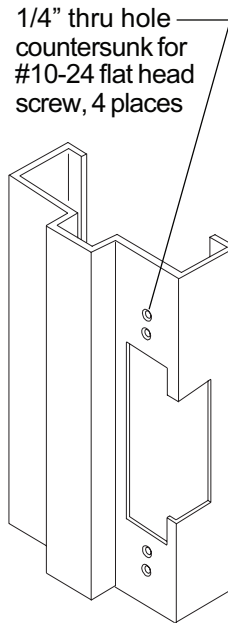
Figure 7

10. If frame does not have built in mounting tabs, install mounting tabs supplied with strike as shown below (Figure 8).

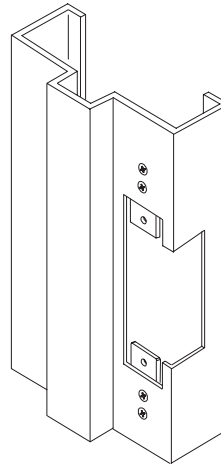
A Attach mounting tabs to strike with two #12-24 screws and mark 4 mounting tab holes on frame as shown below.



B Drill four mounting holes.



C Mount the two mounting tabs inside frame using #10-24 screws as shown below.



D Shim strike in or out as needed until faceplate is flush with frame.

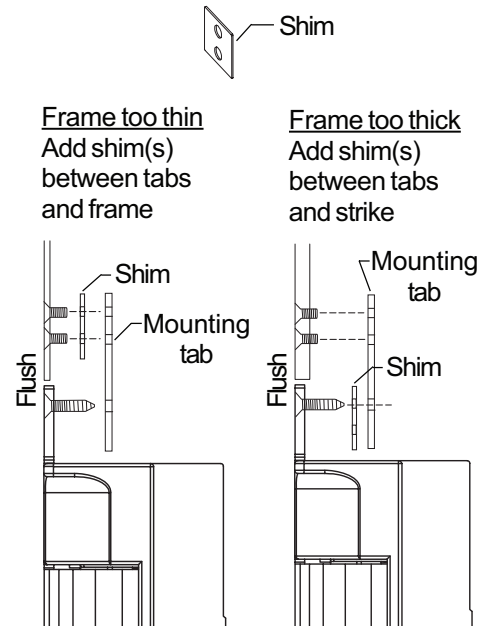


Figure 8

11. Install strike with two #12-24 mounting screws. Make sure clearance between latch bolt and strike lip is 1/32" (Figure 9). If not, remove strike, adjust (Figure 10), and reinstall.

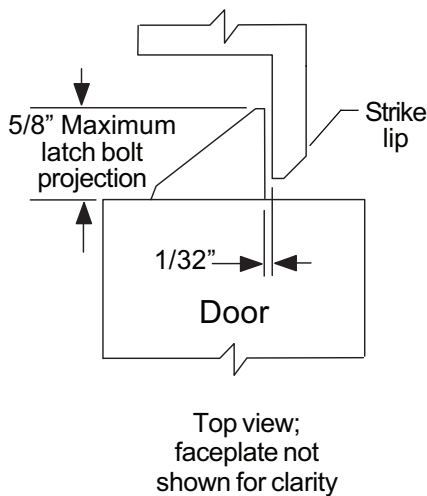


Figure 9

Adjust Strike Lip

- A** Remove two Phillips head faceplate screws and remove faceplate.
- B** Loosen two Hex head backbox screws and move backbox sideways as necessary, then secure screws.
- C** Replace faceplate and secure faceplate screws.

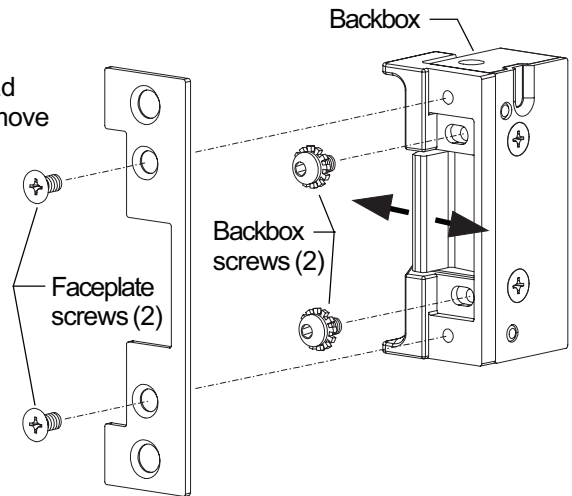
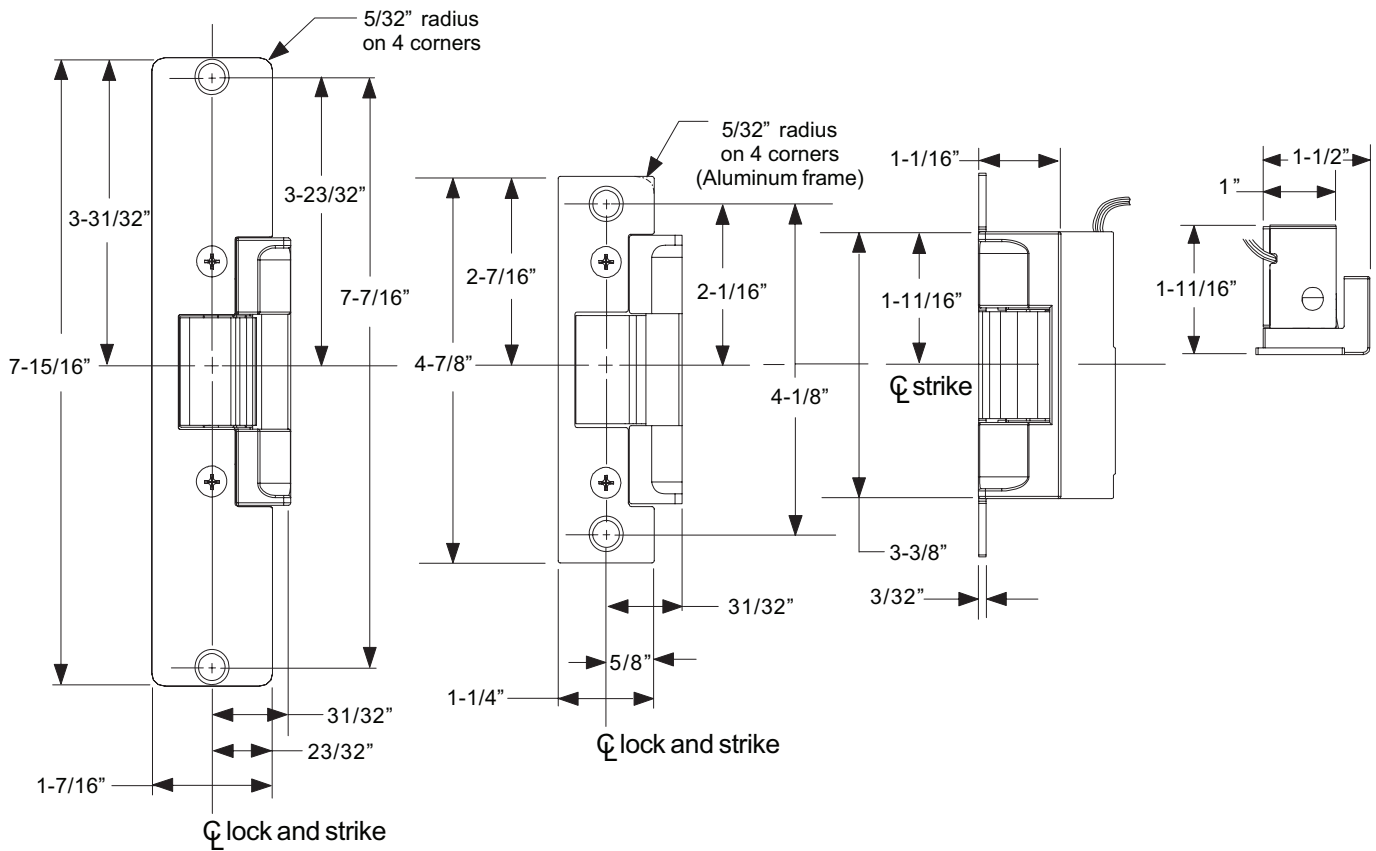


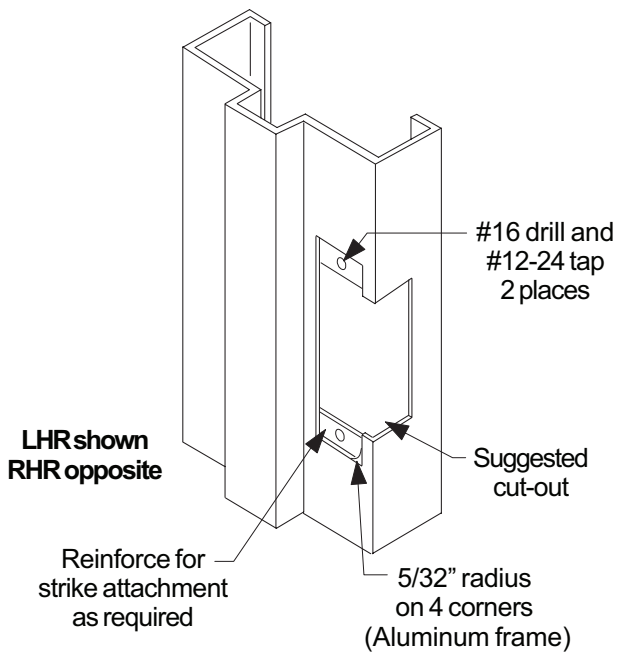
Figure 10

12. Test door: With strike unlocked, door opens with latch bolt extended. When door closes, latch bolt rides over strike lip and relatches.

Strike Dimensions



Short Faceplate Suggested Cut-out



Long Faceplate Suggested Cut-out

