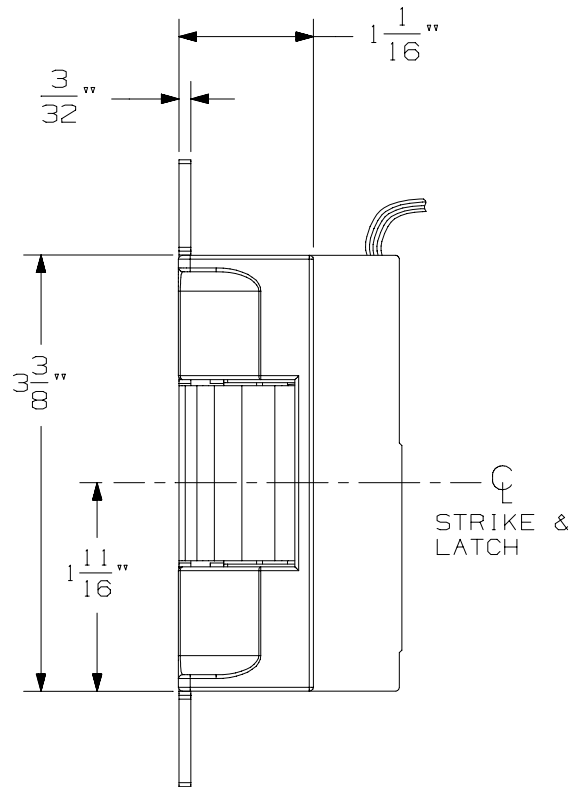
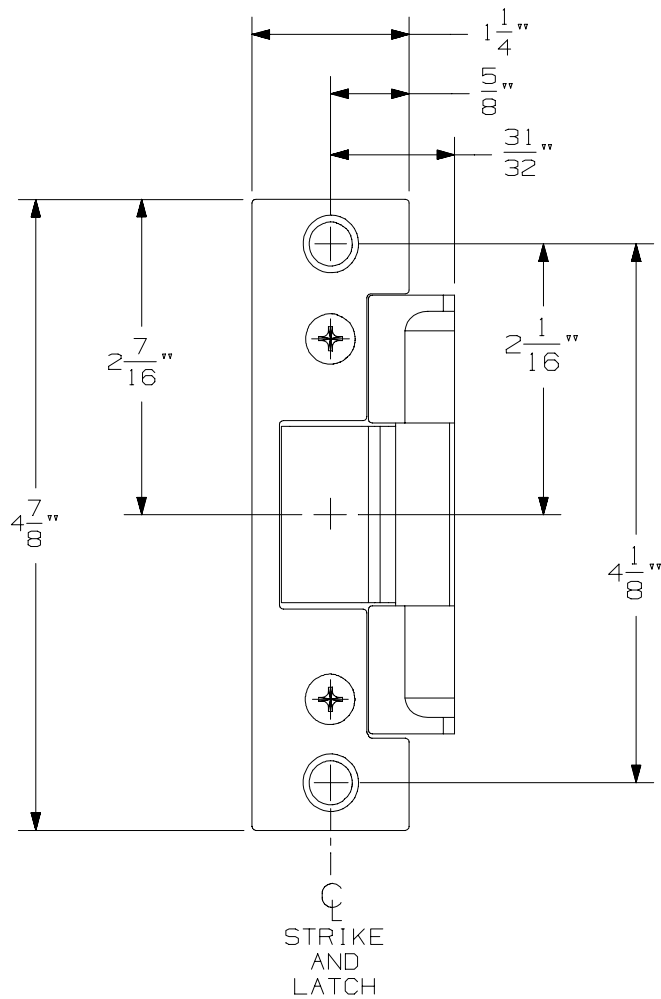


RIGHT HAND APPLICATION  
LEFT HAND OPPOSITE



NOTES:  
THIS STRIKE FOR USE WITH  
5/8" MAX. THROW CYLINDRICAL  
LATCHES OR DEAD LATCHES.

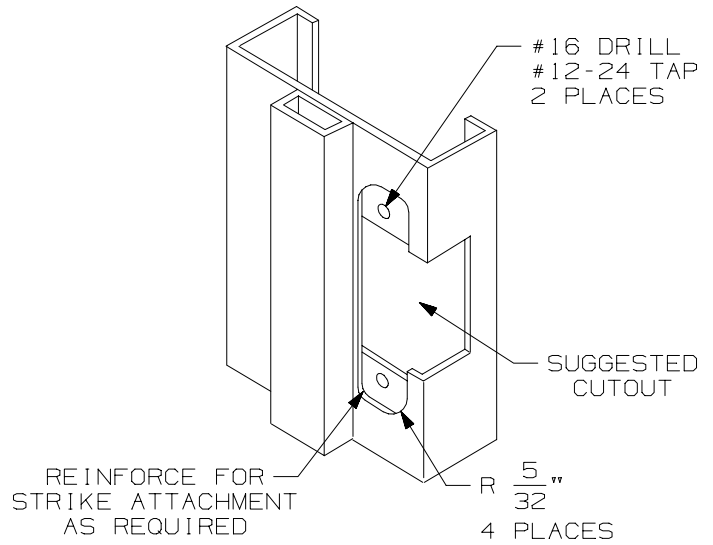
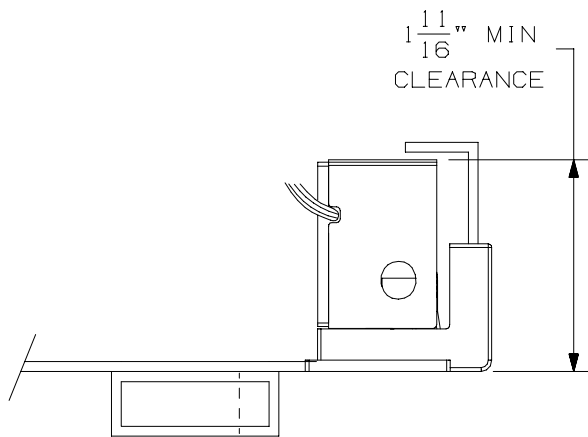
5100 Model Strike  
Hollow Metal Frame Application

**VON DUPRIN®**

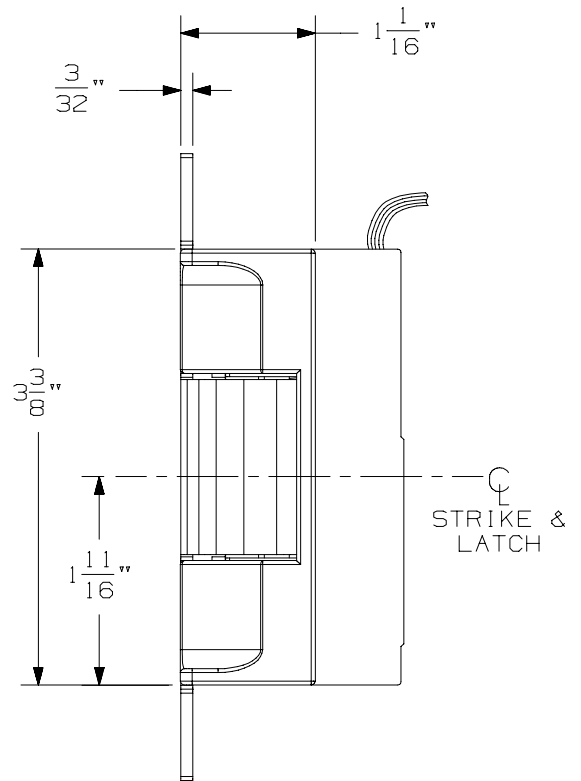
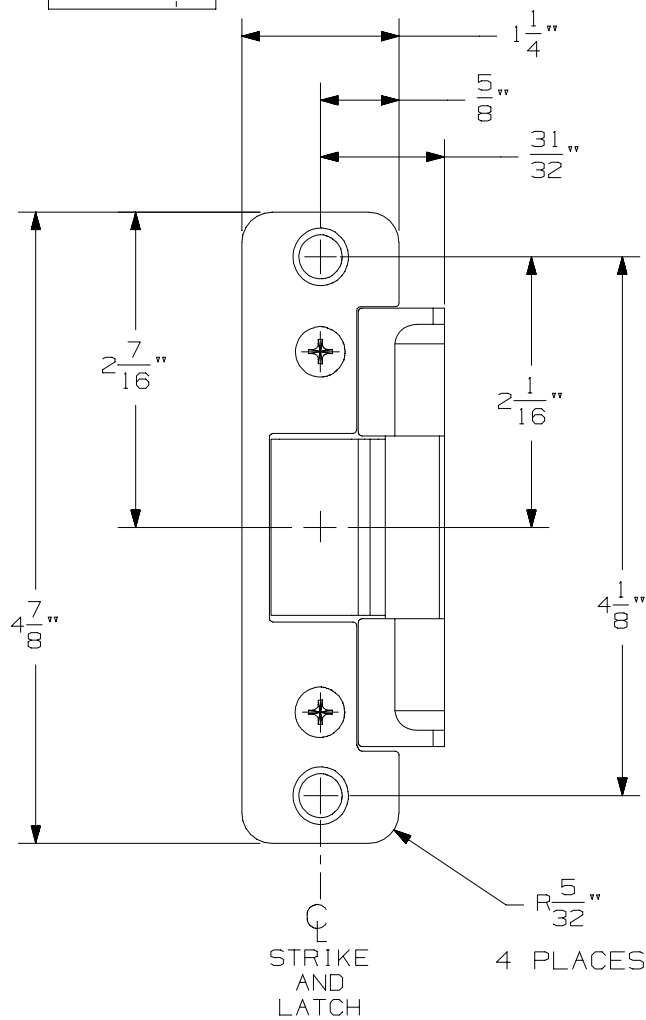
NOTES: SEE MASTER SHEET #10001 FOR SUGGESTED REINFORCING

TEMPLATE NUMBER: 30214\_a Sht 1

DATE: 07-16-13



RIGHT HAND APPLICATION  
LEFT HAND OPPOSITE



NOTE:  
THIS STRIKE FOR USE WITH  
5/8" MAX. THROW CYLINDRICAL  
LATCHES OR DEAD LATCHES.

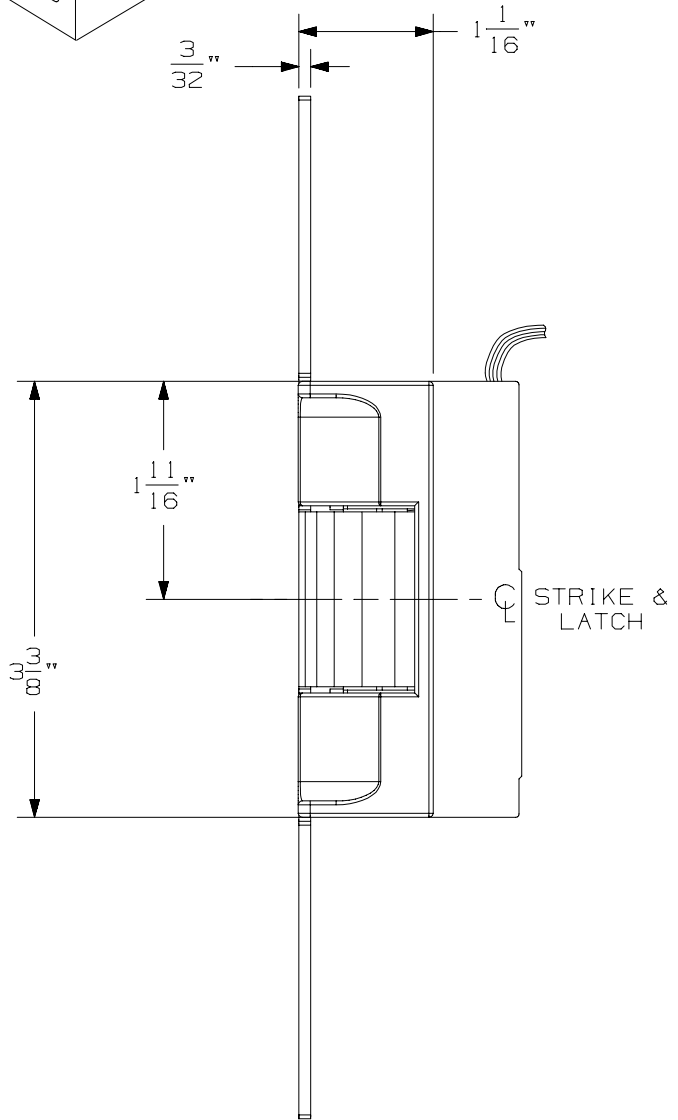
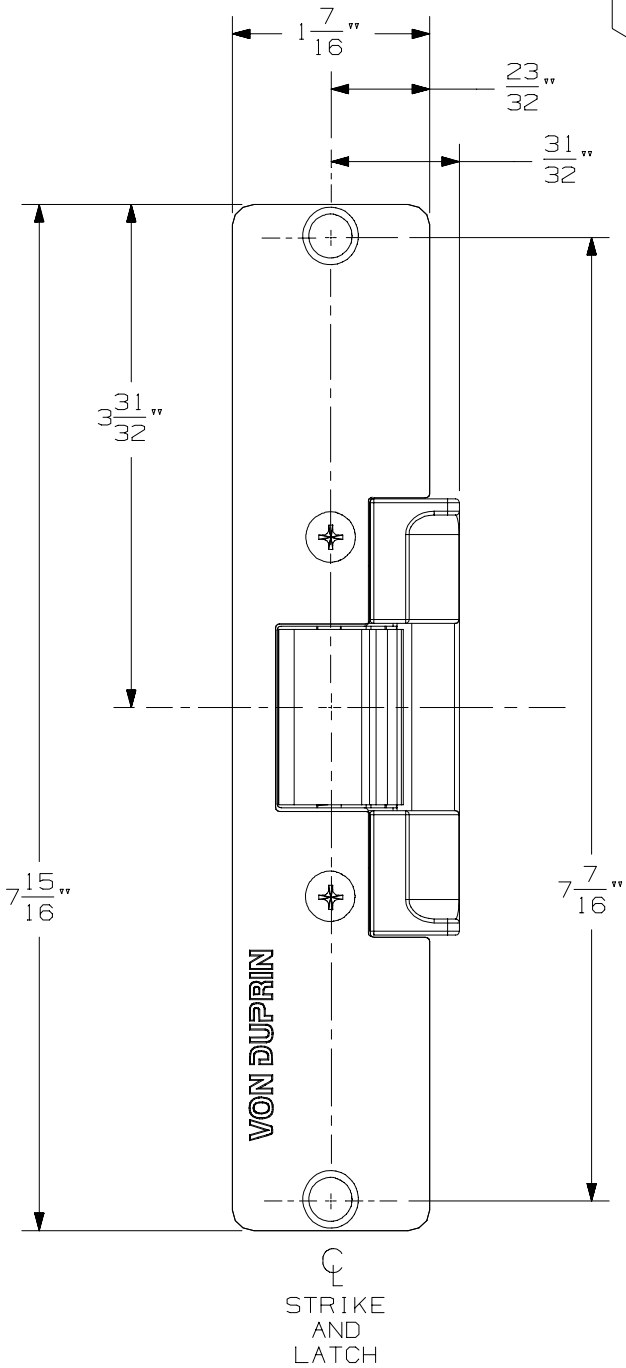
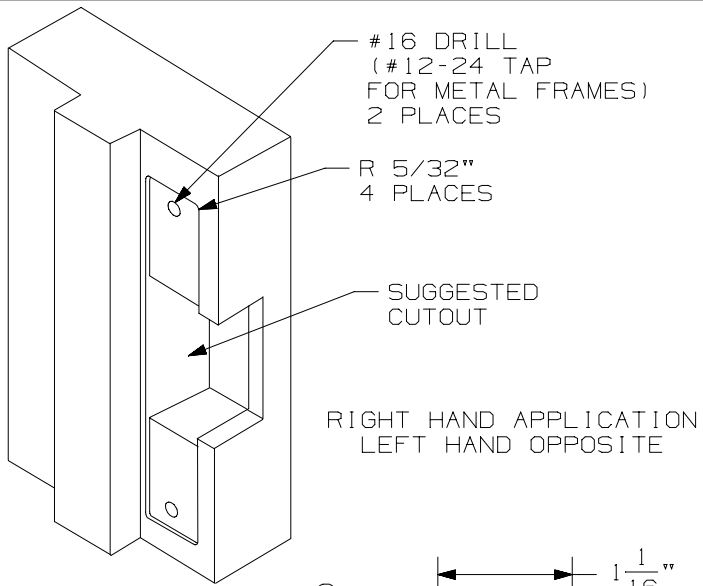
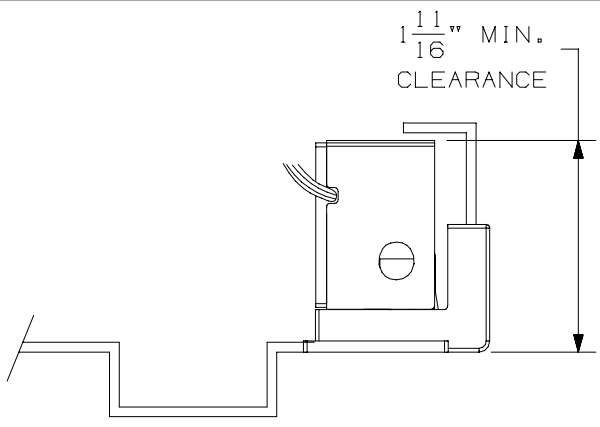
## 5100 Model Strike Aluminum Frame Application

# VON DUPRIN®

NOTES: SEE MASTER SHEET #10001 FOR SUGGESTED REINFORCING

TEMPLATE NUMBER: 30214\_a Sht 2

DATE: 07-16-13



NOTE:  
THIS STRIKE FOR USE WITH  
5/8" MAX. THROW CYLINDRICAL  
LATCHES OR DEAD LATCHES.

5100 Model Strike  
Extended Faceplate Application

**VON DUPRIN**®

NOTES: SEE MASTER SHEET #10001 FOR SUGGESTED REINFORCING

TEMPLATE NUMBER: 30214\_a Sht 3

DATE: 07-16-13