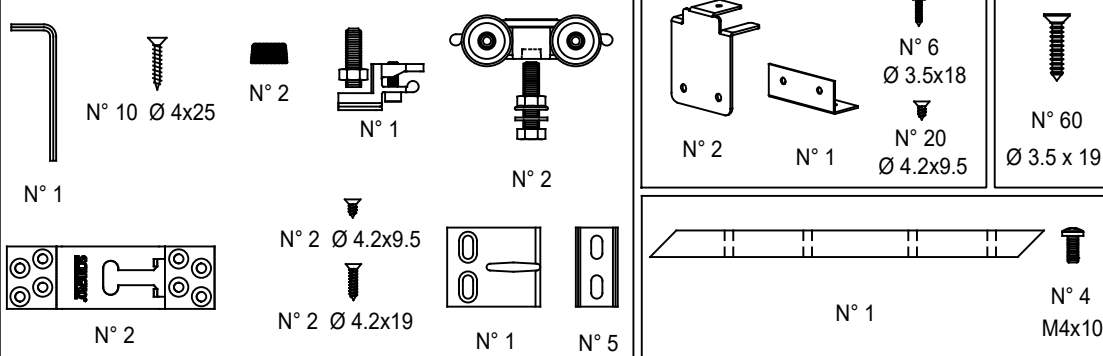
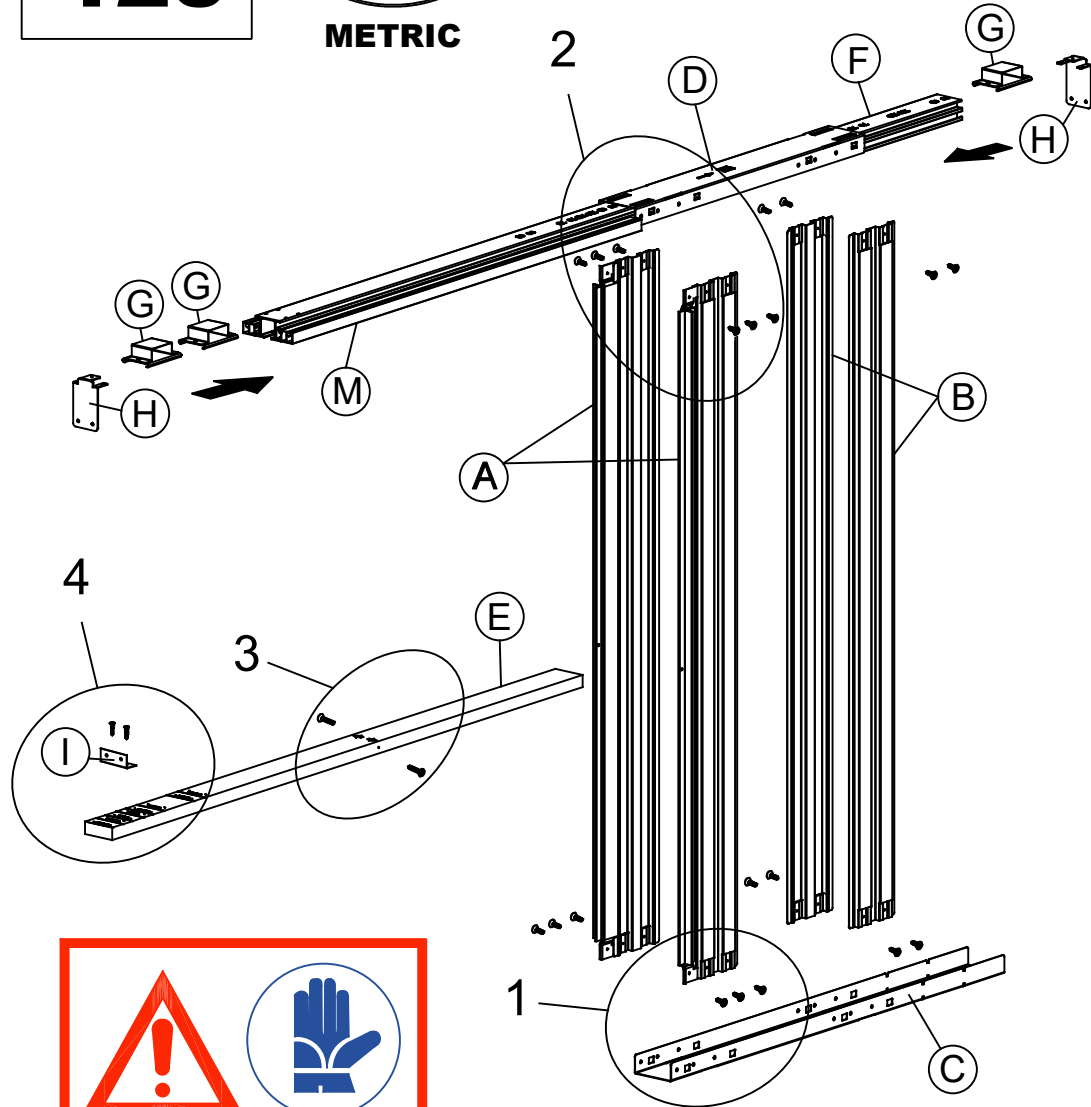


125

UK

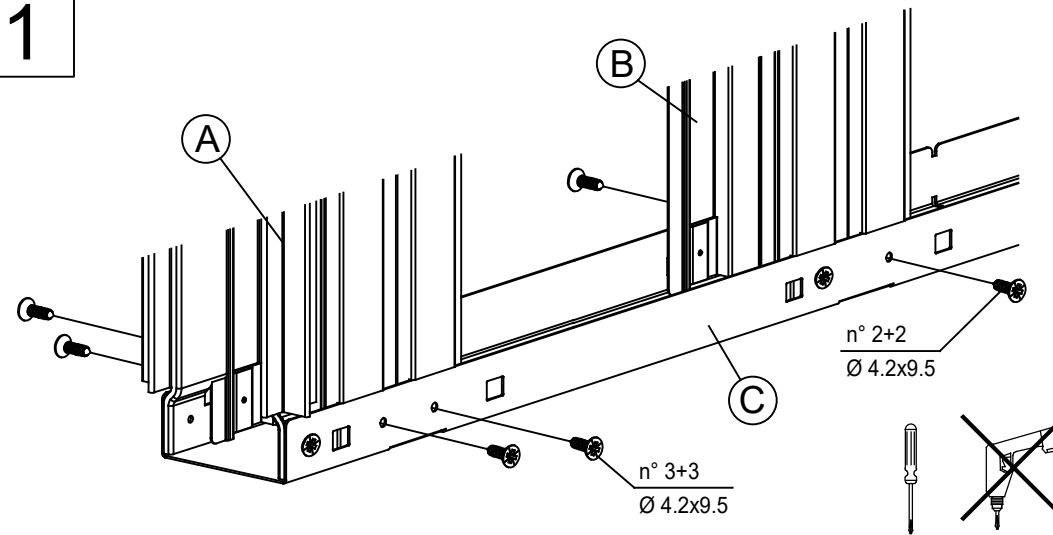
METRIC



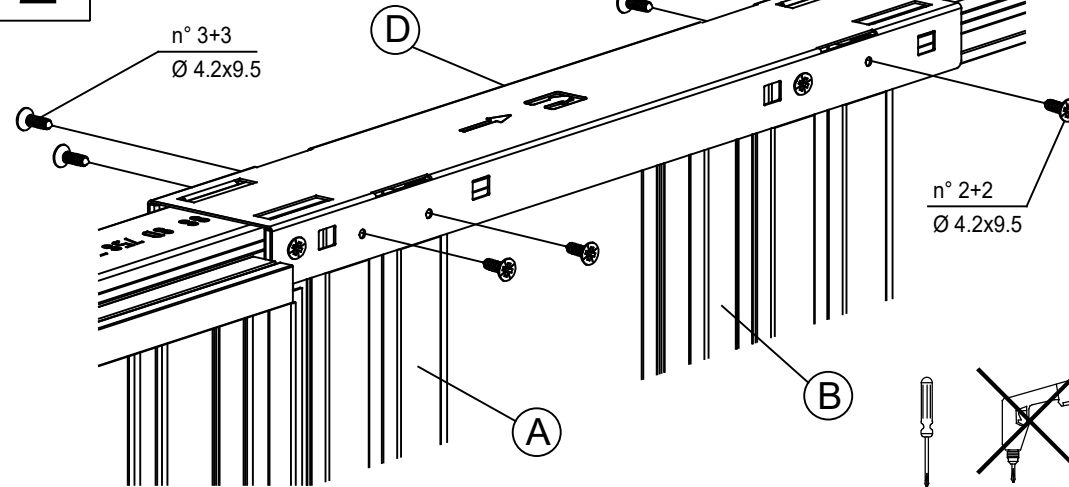
Check that the kit includes all components shown in the diagram.

The information given in this document is for descriptive purposes only. SCRIGNO S.p.A. will not be held responsible for any inaccuracies caused by printing errors, transcription errors or for any other reason, and reserves the right to make modifications, without giving prior notice, for the improvement of its products. The reproduction, including the partial reproduction, of this document is severely prohibited within the terms of the Law.

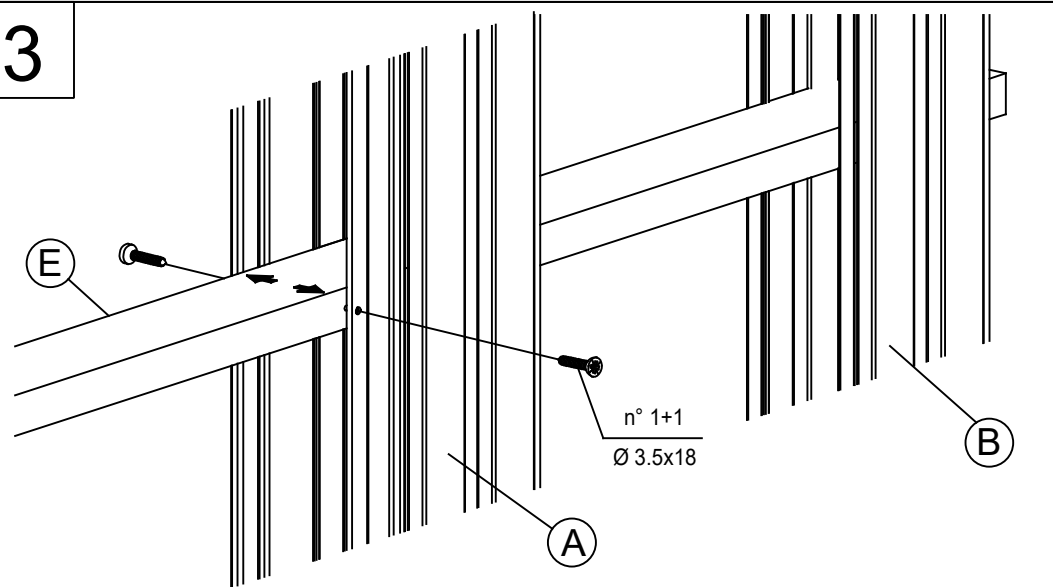
1



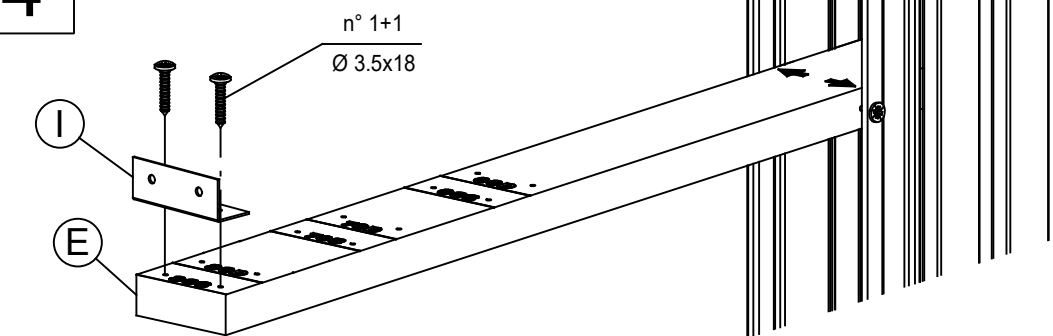
2



3



4



SIZE CHANGES

DIMENSIONS FOR 600/700/800 SINGLE DOOR KIT

| TRACK AND SPACER CUT | DOOR SIZE | CLEAR OPENING SIZE | LENGTH OF "C" | OVERALL SPACE |
|----------------------|-----------|--------------------|---------------|---------------|
| | Lp | L | Lc | Li |
| 6S | 626 | 600 | 615 | 1270 |
| 7S | 726 | 700 | 715 | 1470 |
| * 8S | 826 | 800 | 815 | 1670 |

DIMENSIONS FOR 900/1000 SINGLE DOOR KIT

| TRACK AND SPACER CUT | DOOR SIZE | CLEAR OPENING SIZE | LENGTH OF "C" | OVERALL SPACE |
|----------------------|-----------|--------------------|---------------|---------------|
| 9S | 926 | 900 | 915 | 1870 |
| * 10S | 1026 | 1000 | 1015 | 2070 |

DIMENSIONS FOR 600/700/800 DOUBLE DOOR KIT

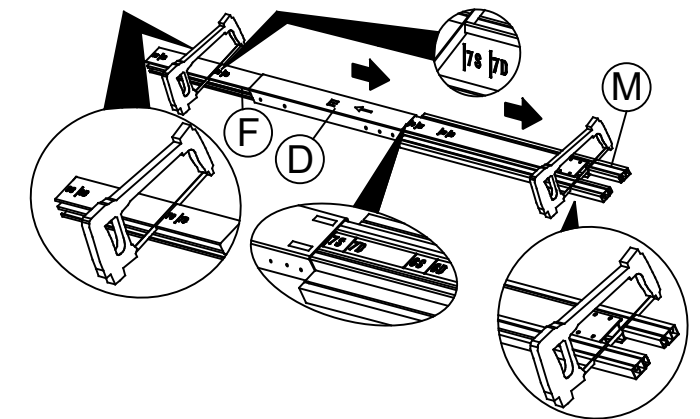
| TRACK AND SPACER CUT | DOOR SIZE | CLEAR OPENING SIZE | LENGTH OF "C" | OVERALL SPACE |
|----------------------|-----------|--------------------|---------------|---------------|
| | Lp | L | Lc | Li |
| 6D | 626 x 2 | 1200 | 615 | 2485 |
| 7D | 726 x 2 | 1400 | 715 | 2885 |
| 8D | 826 x 2 | 1600 | 815 | 3285 |

DIMENSIONS FOR 900/1000 DOUBLE DOOR KIT

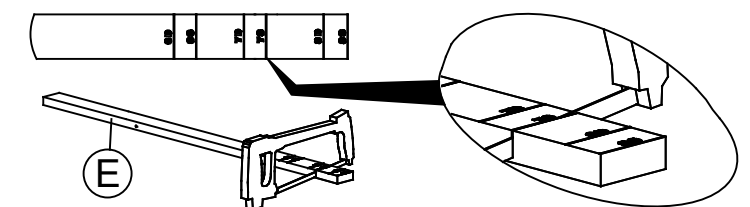
| TRACK AND SPACER CUT | DOOR SIZE | CLEAR OPENING SIZE | LENGTH OF "C" | OVERALL SPACE |
|----------------------|-----------|--------------------|---------------|---------------|
| 9D | 926 x 2 | 1800 | 915 | 3685 |
| 10D | 1026 x 2 | 2000 | 1015 | 4085 |

* standard size in the kit purchased

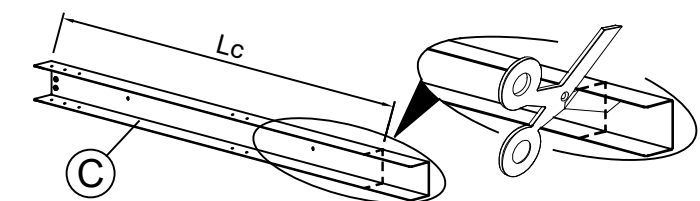
Cut track "F" to the desired size on the rear side. Cut PVC profile bars "M" on the front side.



Cut the wooden spacer "E" at the desired size (see chart).

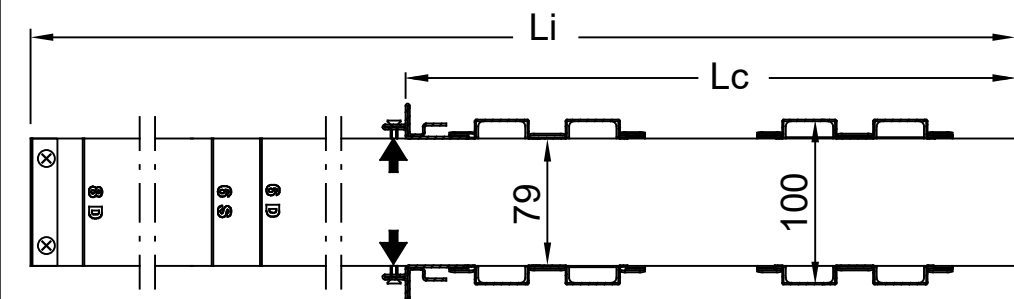
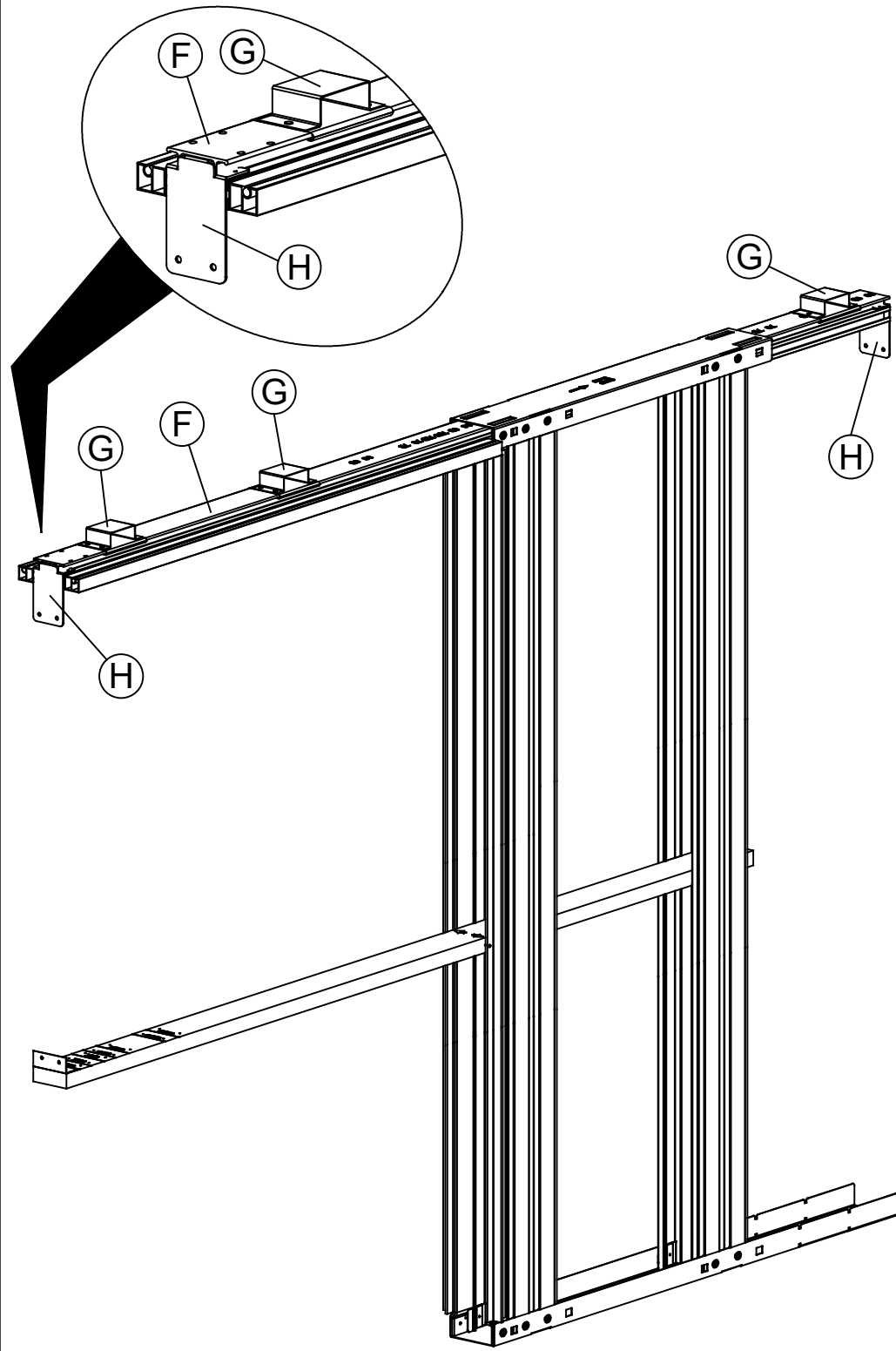


Cut the sheet metal profile bar "C" to be positioned on floor (see chart).

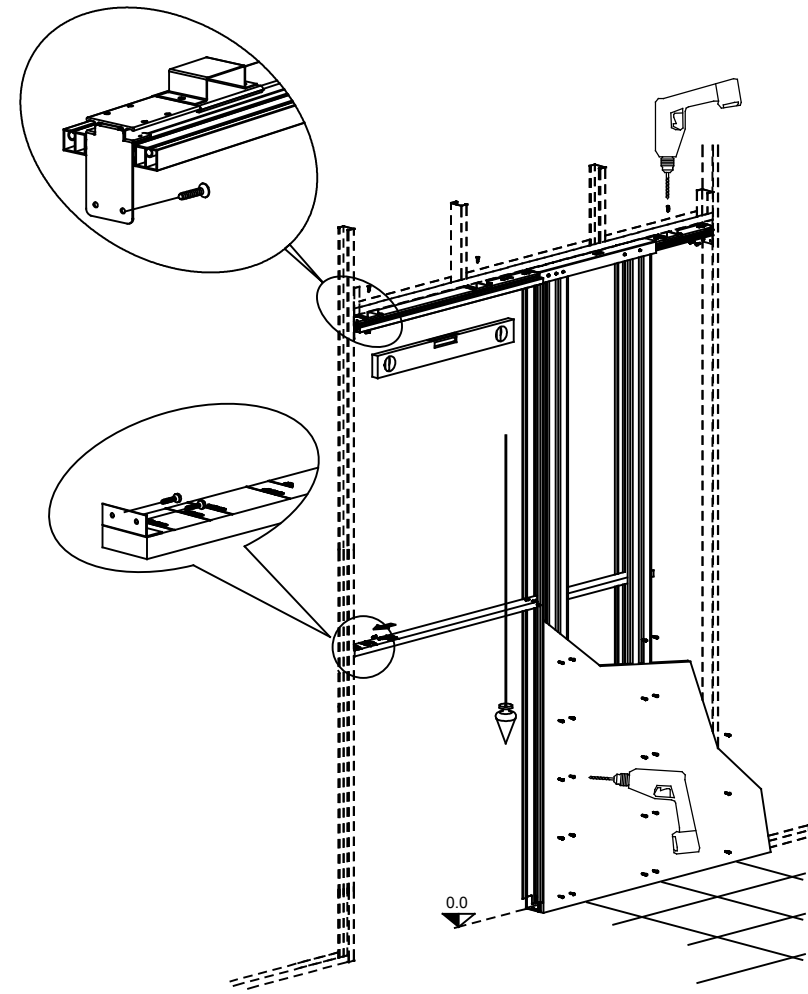


5

Insert supports "G" and "H" into the aluminium track "F"



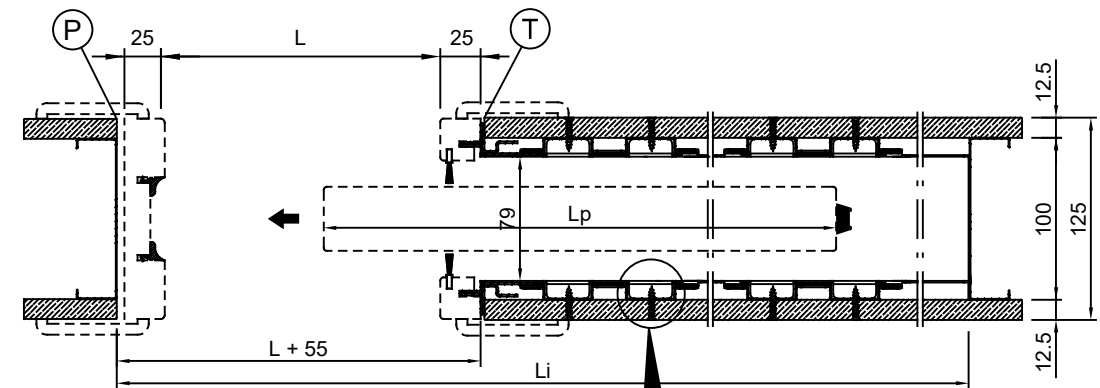
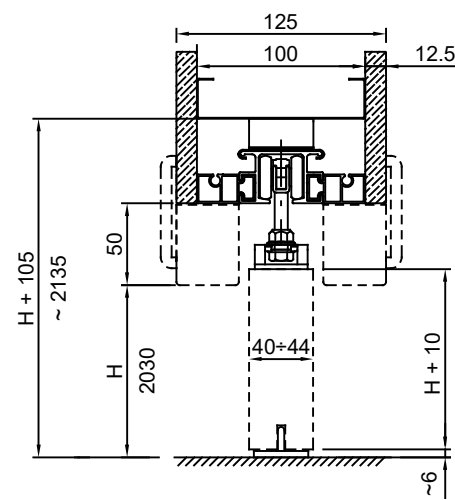
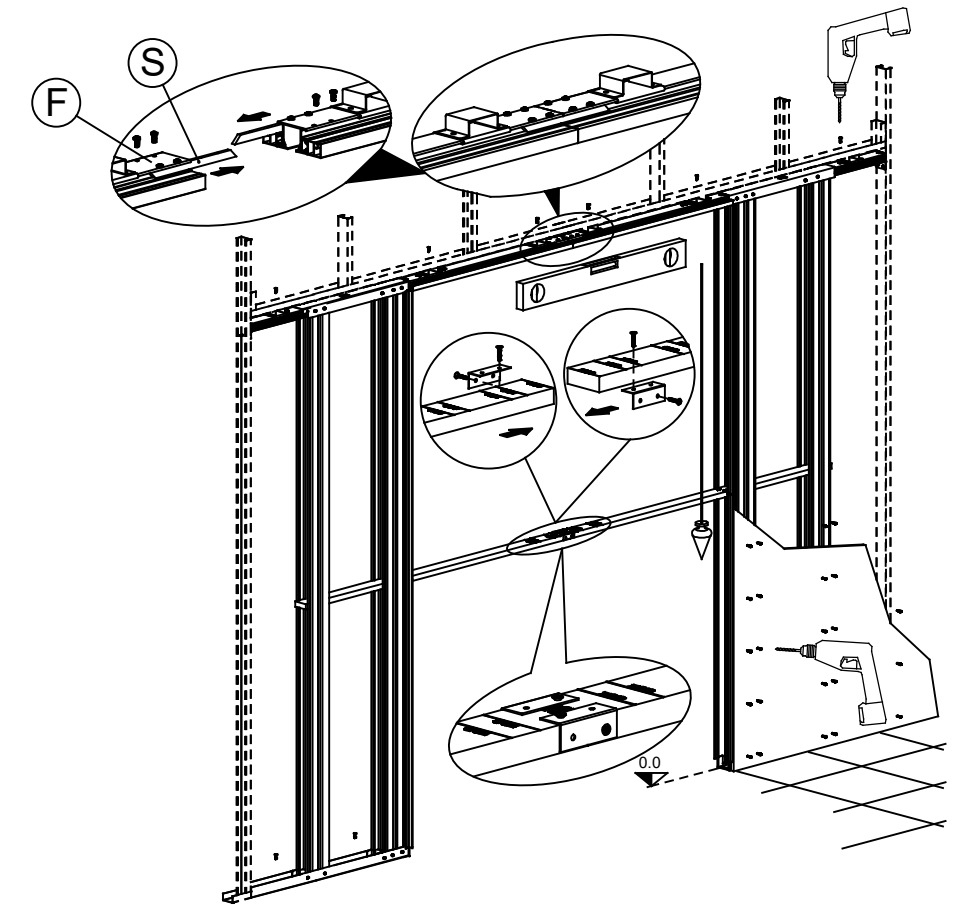
SINGLE DOOR



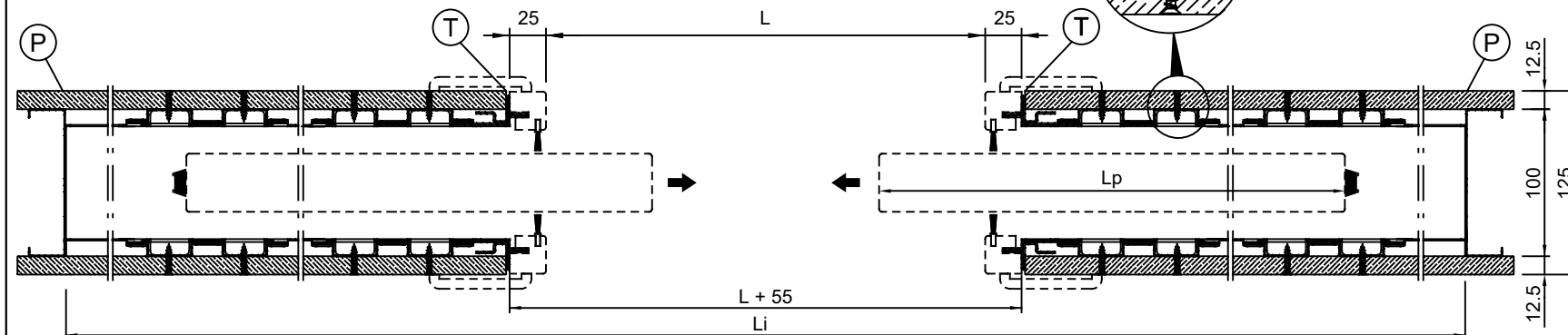
NEW BUILDINGS Create support points at floor level and check alignment between box (T) and wall (P) and correct vertical and horizontal position. Fix box. CAUTION: Do not install the box higher than the finished floor. FLOOR ALREADY PRESENT Place the frame on finished floor. Check alignment between box (T) and wall (P) and correct vertical and horizontal position. Fix box.

DOUBLE DOOR

Fix pins "S" to tracks "F" using the provided screws. Position the two boxes with the track already inserted against each other. Join the guides and the two spacers as shown in the diagram.



SECTION



Fix sheet of plasterboard onto outermost part using the 3.5x19 (L) provided screws.

125

UK METRIC