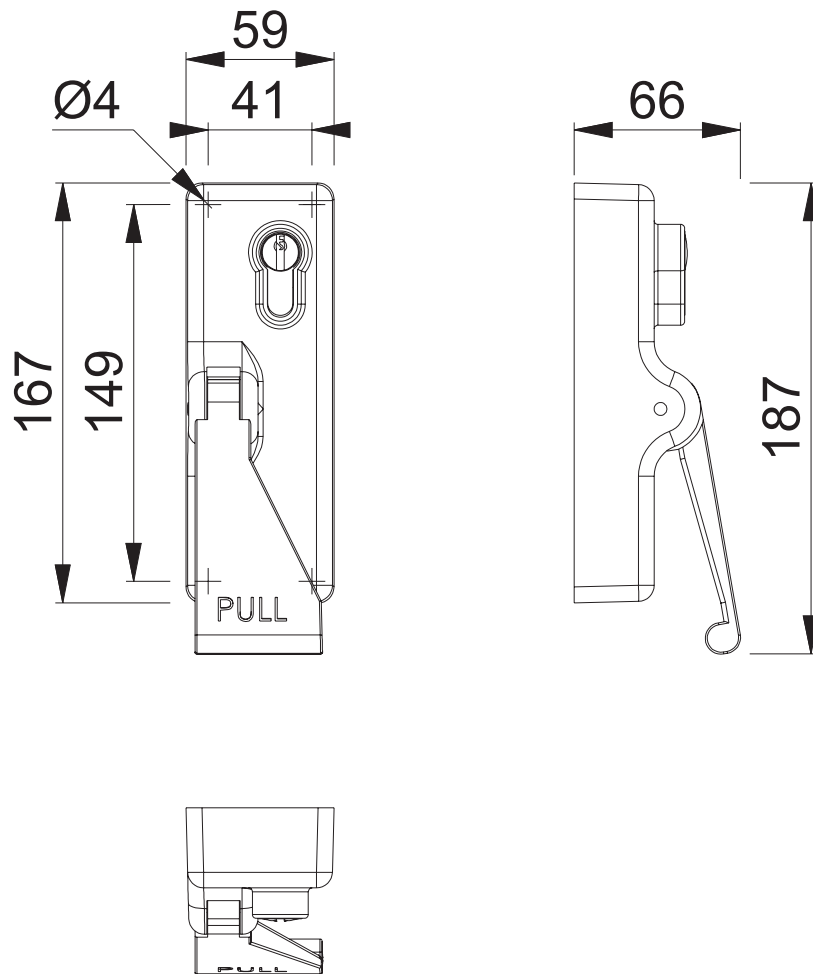


AR885 (Pad Type Lock Attachment)



These documents are property of HOPPE (UK), Wolverhampton and are protected by both copyright and fair trade law. Any reproduction, reprint, copying, passing on to third parties and whichever use of these documents or parts thereof is prohibited, except with prior written consent of HOPPE.

Scale 1:3	Name J. Renhard	Date 20.01.15	Drawing No: c0212005z000	ARRONE The Complete Range
--------------	--------------------	------------------	-----------------------------	-------------------------------------