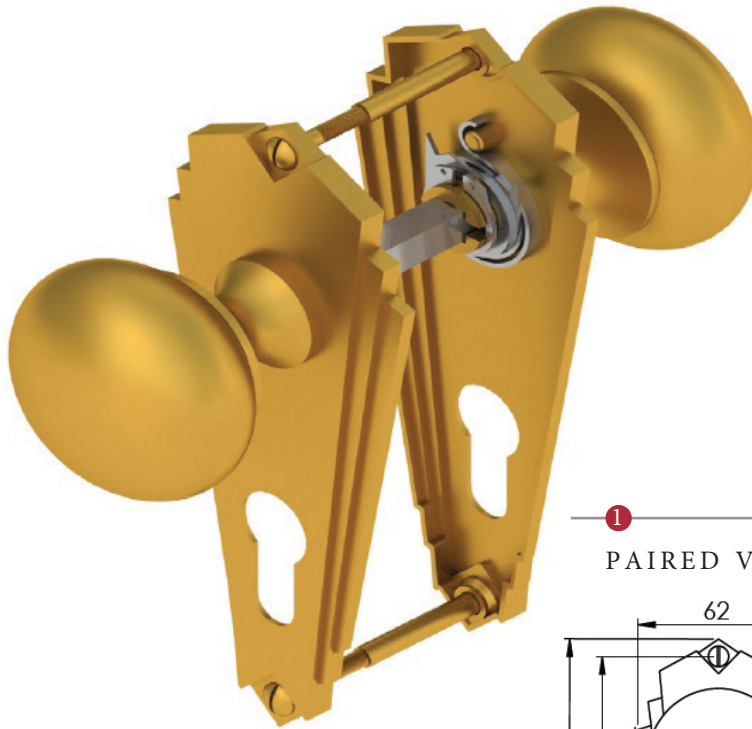
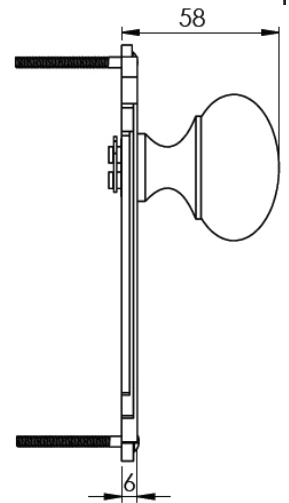
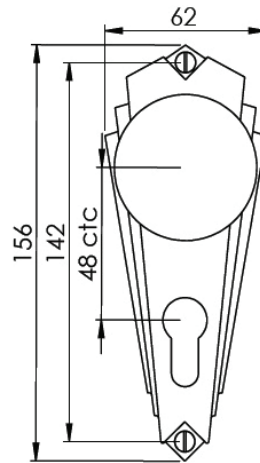


BROADWAY MORTICE KNOB ON EURO PROFILE LOCK PLATE - SPRUNG ON ONE SIDE



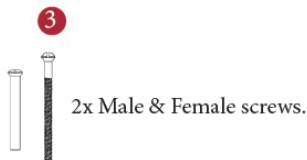
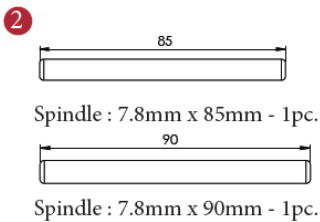
1  
PAIRED VIEW



This lock handle is suitable for use with most U.K. Euro Profile cylinders and sashlocks with a 48mm CTC.

**EURO PROFILE SASHLOCKS**  
with a 48mm CTC  
(not included, must be ordered separately)

- YKCSLE37.CE 3" PVD Brass Finish
- YKCSLE38.CE 3" PSS
- YKCSLE39.CE 3" SSS



**Box Contains**

- 1 Pair of mortice knobs
- 2 2x spindle suitable for 35mm & 44mm thick door
- 3 2x male & female screw sets

  
**M Marcus Ltd., Dudley**

Product Code

BR1848

Material

Solid Brass

Available in all Heritage Brass finishes.

Sizes shown are in mm and approximate. We reserve the right to amend where necessary and without any prior notice.