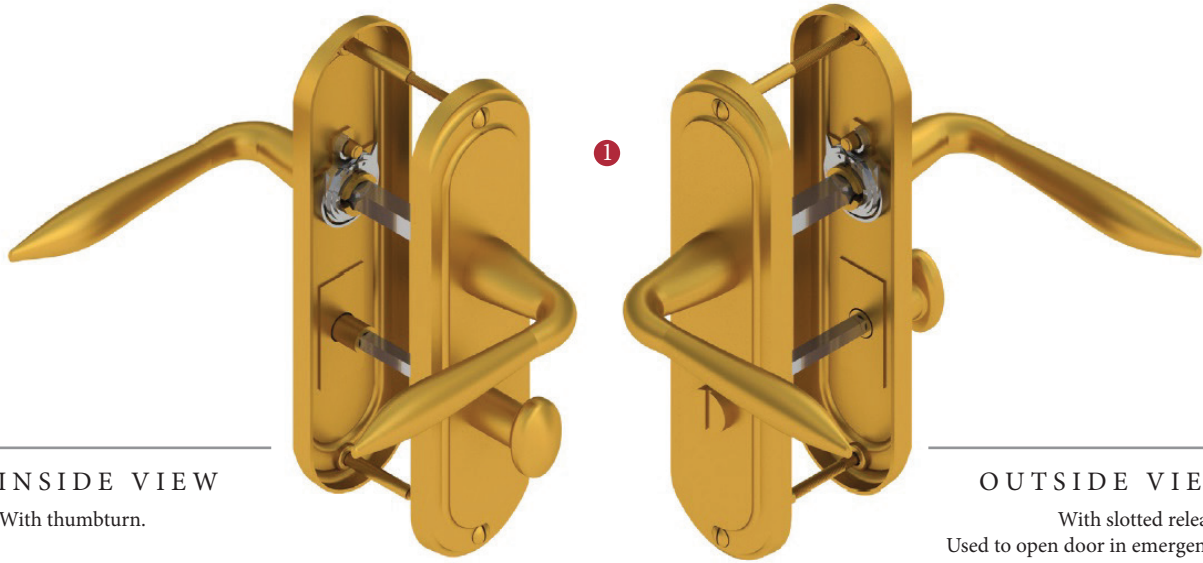


HENLEY BATHROOM/CLOAKROOM HANDLE WITH PRIVACY TURN

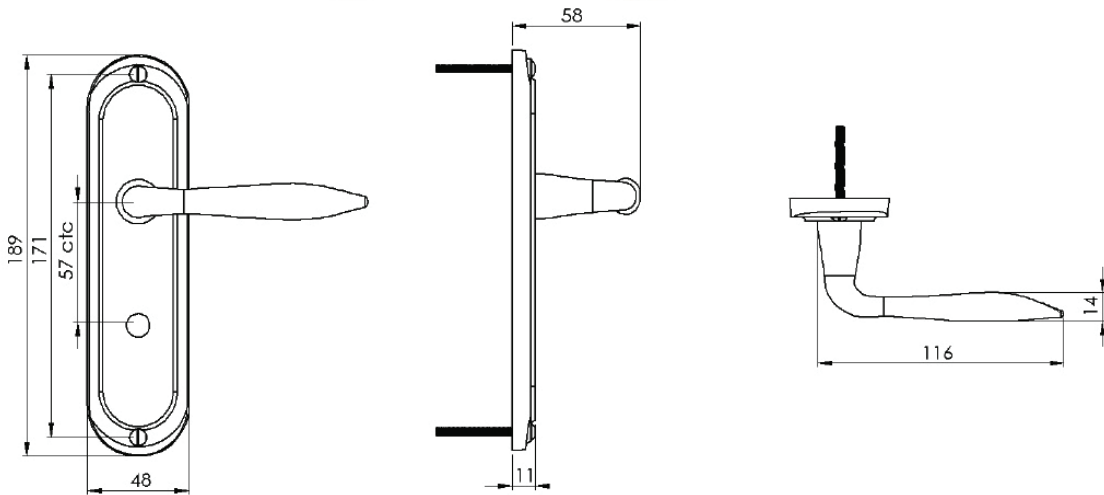


INSIDE VIEW

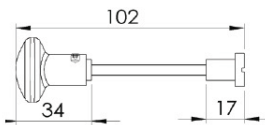
With thumbturn.

OUTSIDE VIEW

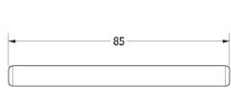
With slotted release.
Used to open door in emergency.



This bathroom handle is suitable for use with most U.K. bathroom locks with a 57mm CTC.
For a new door installation we would recommend using our York bathroom locks from the list below.



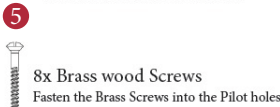
Thumbturn x 1pc.



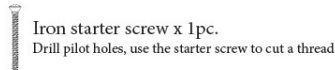
Spindle : 7.8mm x 85mm - 1pc.



2 mm Allen key :
Used to fasten thumbturn



8x Brass wood Screws
Fasten the Brass Screws into the Pilot holes



Iron starter screw x 1pc.
Drill pilot holes, use the starter screw to cut a thread

BATHROOM LOCKS

(not Included, must be ordered seperately)

- YKBL2-AT 2 1/2" Antique Finish
- YKBL2-BLK 2 1/2" Black Finish
- YKBL2-MB 2 1/2" Matt Bronze Finish
- YKBL2-PB 2 1/2" Brass Finish
- YKBL2-PC&PN 2 1/2" Polished Chrome & Nickel Finish
- YKBL2-SB 2 1/2" Satin Brass Finish
- YKBL2-SN&SC 2 1/2" Satin Nickel & Chrome Finish
- YKBL3-AT 3" Antique Finish
- YKBL3-BLK 3" Black Finish
- YKBL3-MB 3" Matt Bronze Finish
- YKBL3-PB 3" Brass Finish
- YKBL3-PC&PN 3" Polished Chrome & Nickel Finish
- YKBL3-SB 3" Satin Brass Finish
- YKBL3-SN&SC 3" Satin Nickel & Chrome Finish

Box Contains

①	②	③	④	⑤
Pair of lever handles	1x Thumbturn & release	1x 85mm spindle suitable for 35mm & 45 mm thick door	1x Allen key	2x Brass male & female screw sets


M Marcus Ltd., Dudley

Product Code

HEN1230

Material

Solid Brass

Available in all Heritage Brass finishes.

Sizes shown are in mm and approximate.
We reserve the right to amend where necessary and without any prior notice.