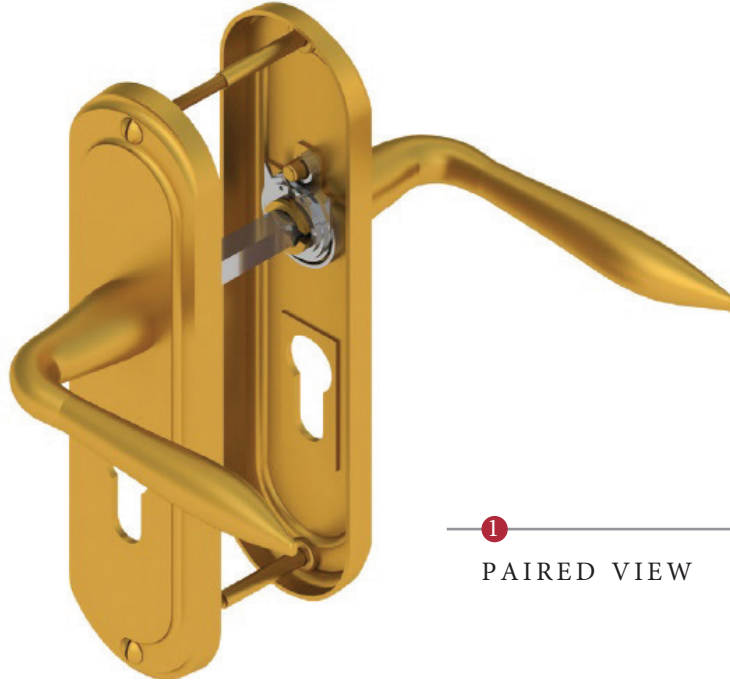
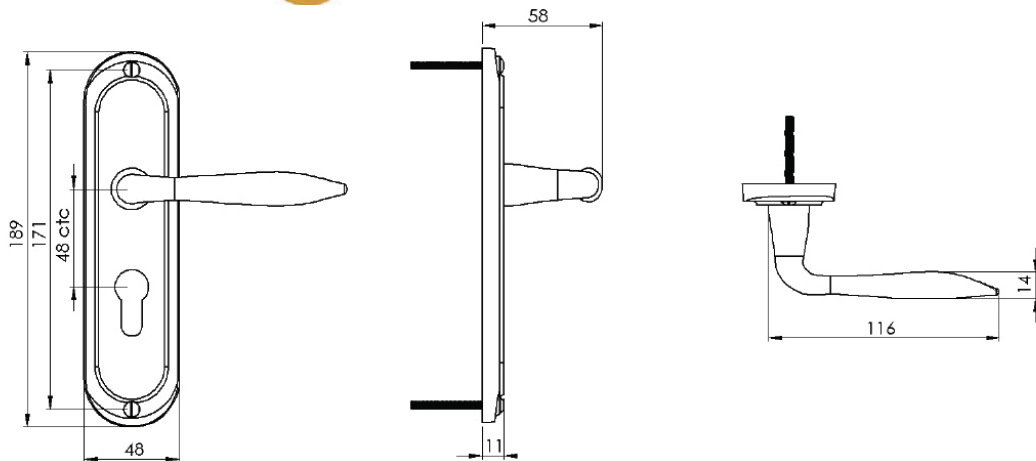


HENLEY EURO PROFILE LOCK HANDLE

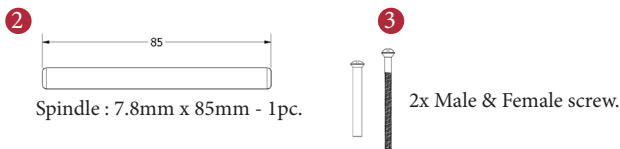


1  
PAIRED VIEW



This lock handle is suitable for use with most U.K. Euro Profile cylinders and sashlocks with a 48mm CTC.

**EURO PROFILE SASHLOCKS**  
with a 48mm CTC  
(not included, must be ordered separately)



- YKCSLE27.CE 2.1/2" PVD Brass Finish
- YKCSLE28.CE 2.1/2" PSS
- YKCSLE29.CE 2.1/2" SSS
- YKCSLE37.CE 3" PVD Brass Finish
- YKCSLE38.CE 3" PSS
- YKCSLE39.CE 3" SSS

**Box Contains**

- 1  
Pair of lever handles
- 2  
1x 85mm spindle suitable for 35mm & 45mm thick door
- 3  
2x Brass male & female screw sets

  
**M Marcus Ltd., Dudley**

Product Code

HEN1248

Material

Solid Brass

Available in all Heritage Brass finishes.

Sizes shown are in mm and approximate. We reserve the right to amend where necessary and without any prior notice.