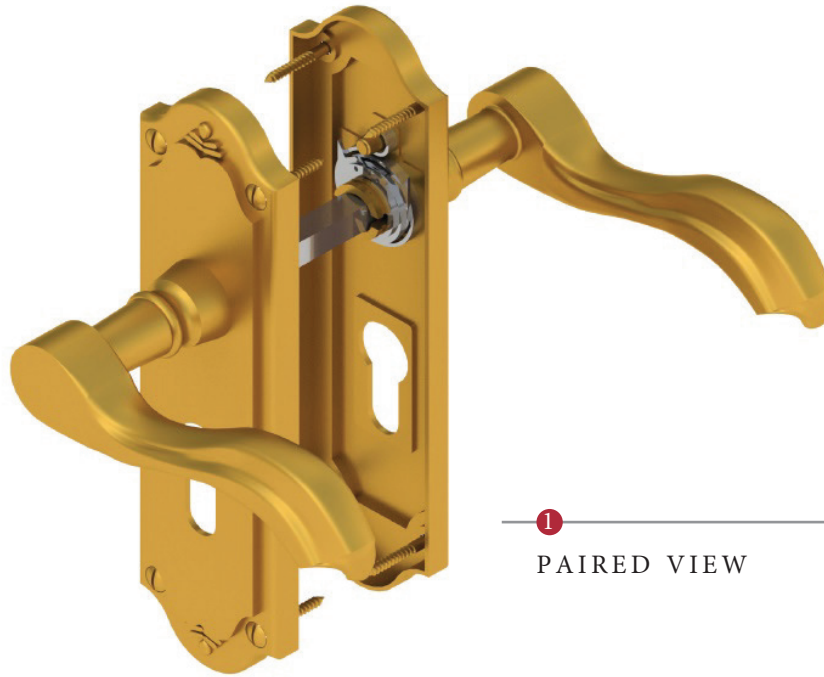
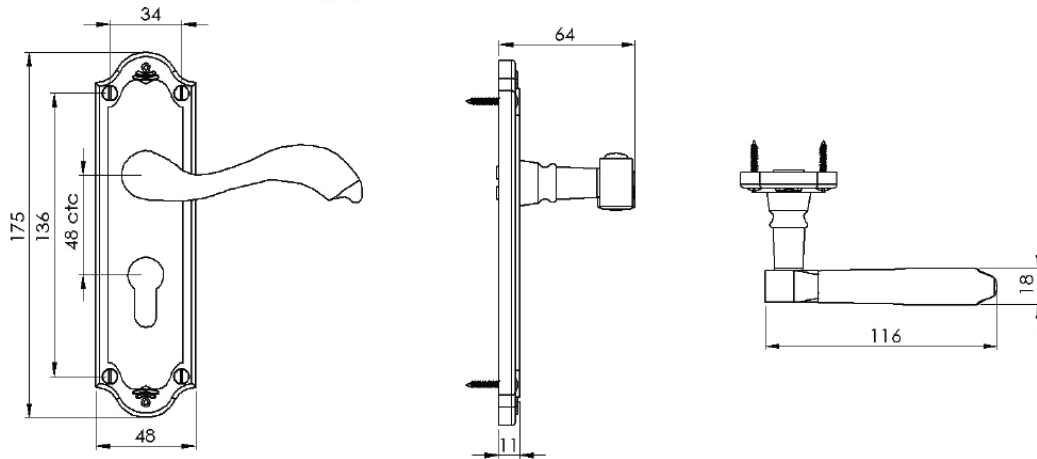


LISBOA EURO PROFILE LOCK HANDLE



1  
PAIRED VIEW



This lock handle is suitable for use with most U.K. Euro Profile cylinders and sashlocks with a 48mm CTC.

**EURO PROFILE SASHLOCKS**  
with a 48mm CTC  
(not included, must be ordered separately)

- YKCSLE27.CE 2.1/2" PVD Brass Finish
- YKCSLE28.CE 2.1/2" PSS
- YKCSLE29.CE 2.1/2" SSS
- YKCSLE37.CE 3" PVD Brass Finish
- YKCSLE38.CE 3" PSS
- YKCSLE39.CE 3" SSS

3  
Iron starter screw x 1pc.  
Drill pilot holes, use the starter screw to cut a thread

4  
8x Brass wood Screw  
Fasten the Brass Screw into the Pilot hole

2  
Spindle : 7.8mm x 85mm - 1pc.

**Box Contains**

- 1 Pair of lever handles
- 2 1x 85mm spindle suitable for 35mm & 45mm thick door
- 3 1x Iron screw
- 4 8x Brass wood screws

  
**M Marcus Ltd., Dudley**

Product Code

MM994

Material

Solid Brass

Available in all Heritage Brass finishes.

Sizes shown are in mm and approximate.  
We reserve the right to amend where necessary and without any prior notice.