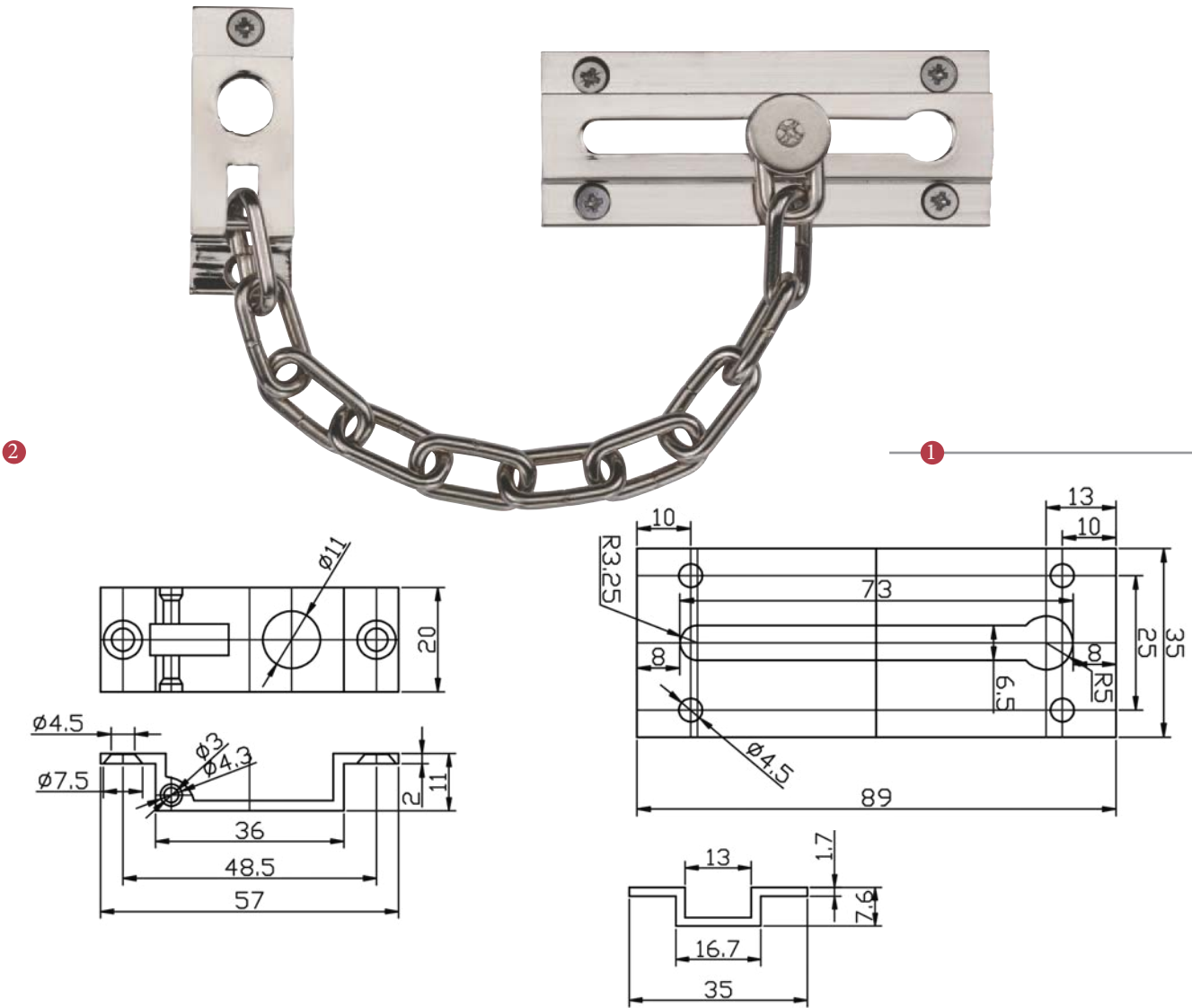


V1070 DOOR CHAIN



2 Dimensions: see the outlines given above

3  18mm

FITTING

- 1 Position Door Chain at a suitable height for ease of use to determine where to drill screw holes.
- 2 Make sure the door chain is mounted onto a solid part of the door. A bradawl should be used or pilot holes drilled for the fixing screws.
- 3 Position chain anchor on door frame Mark screw holes and Screw into position. Fit anchor vertically as shown in picture.
- 4 Position door chain onto the door and align with chain anchor, Engage the slide button making sure that the slide button can be engaged or disengaged by altering the position of the door chain on the door.
- 5 Once satisfied with the chain operation mark screw holes and fix the door chain into position.

Overview

- | | | |
|--------------------------|------------------------------------|---|
| 1 Door Chain illustrated | 2 General dimensions of Door Chain | 3 Supplied with: 6 x 18mm Brass Wood Screws |
|--------------------------|------------------------------------|---|


M Marcus Ltd., Dudley

Product Code

V1070

Material

Solid Brass

Available in all Heritage Brass finishes.

Sizes shown are in mm and approximate. We reserve the right to amend where necessary and without any prior notice.