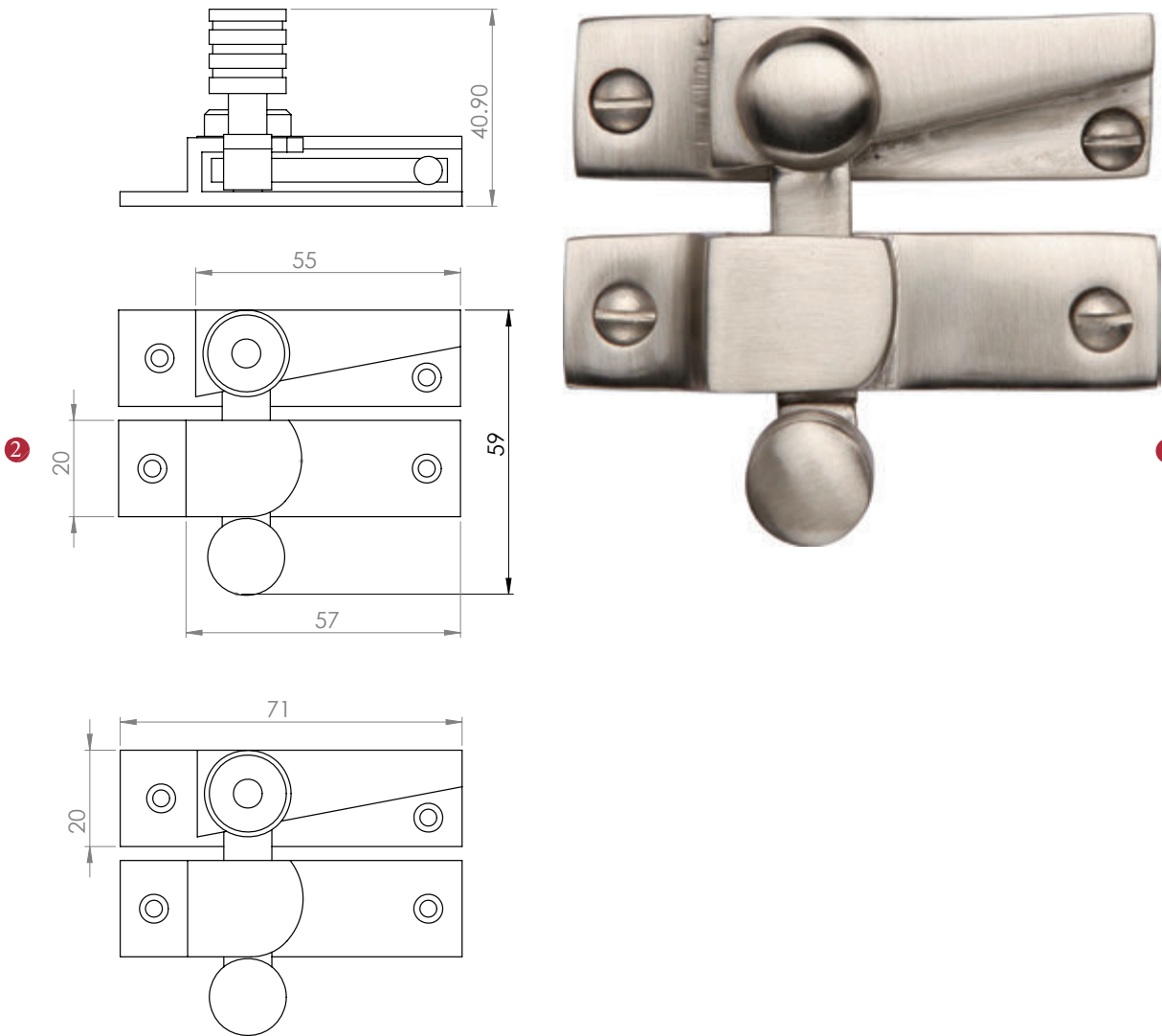


V1105 HOOK PLATE SASH FASTENER



② Dimensions:
see the outlines given above

③  4 x Brass Screw

 Steel pilot screw

FINISHES

-  Polished Brass finish
-  Polished Chrome finish
-  Antique Brass finish
-  Satin Chrome finish
-  Satin Nickel finish
-  Matt Bronze finish
-  Satin Brass finish
-  Polished Nickel finish

Overview

① Hook plate sash fastener illustrated

② (General dimensions of sash fastener)

③ Supplied with:
4 x 25mm Brass Screws
1 x Steel pilot screw


M Marcus Ltd., Dudley

Product Code

V1105

Material

Solid Brass

Available in all Heritage Brass finishes.

Sizes shown are in mm and approximate. We reserve the right to amend where necessary and without any prior notice.