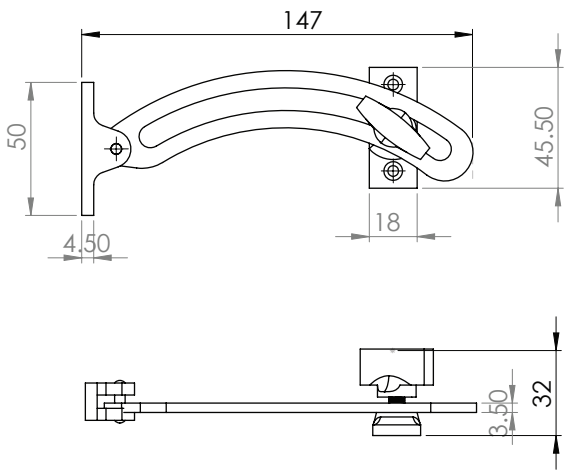


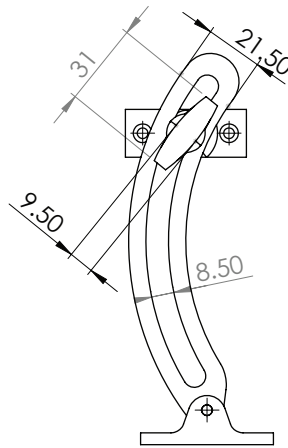
V1118 QUADRANT STAY



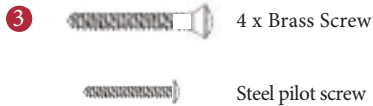
2



1



2 Dimensions: see the outlines given above



FINISHES

-  Polished Brass finish
-  Polished Chrome finish
-  Antique Brass finish
-  Satin Chrome finish
-  Satin Nickel finish
-  Matt Bronze finish
-  Satin Brass finish
-  Polished Nickel finish

Overview

1 Quadrant stay illustrated

2 (General dimensions of quadrant stay)

3 Supplied with:
4 x 25mm Brass Screws
1 x Steel pilot screw


M Marcus Ltd., Dudley

Product Code

V1118

Material

Solid Brass

Available in all Heritage Brass finishes.

Sizes shown are in mm and approximate. We reserve the right to amend where necessary and without any prior notice.