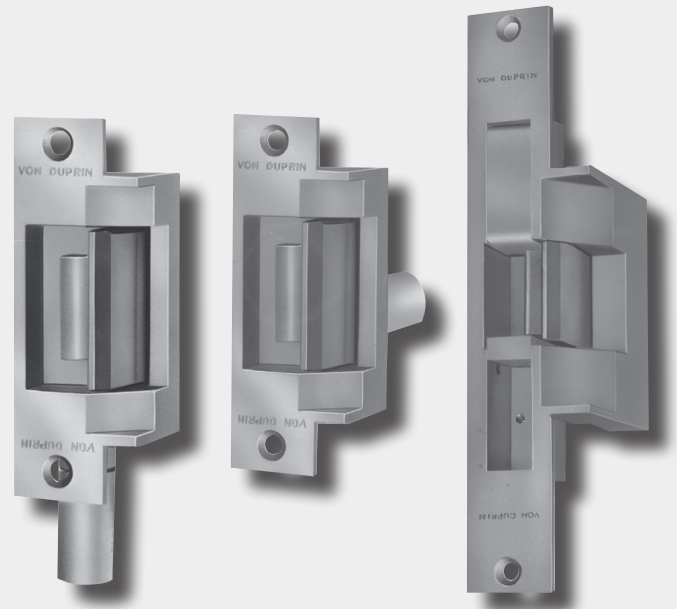


VON DUPRIN®

6200 Series

Strikes for mortise or cylindrical devices



Overview

Von Duprin electric strikes are known for their reliability, durability and security. The 6200 Series strikes are designed to withstand abuse. Their heavy-duty stainless steel construction is fully UL 1034 and UL 10C listed and meets or is certified ANSI/BHMA Grade 1.

6200 Series electric door strikes are designed for use with a variety of mortise or cylindrical locksets. Electrified strikes allow remote release of a locked door by activating a movable lip (keeper) using an entry/exit button or credential reader and can be a cost effective means for managing access. 6200 Series strikes come standard as 24 VDC in fail secure mode. 12 VDC and AC operation can be selected, as can fail safe mode and other options that enable you to configure these strikes to fit your exact needs.

Use 6200 Series electric strikes for retrofit applications or new construction. To assure the proper selection of an electric strike on new applications, lockset compatibility charts are shown on the next page. When using a lockset not listed or when retrofitting a strike to an existing application, please contact Von Duprin Technical Support for application assistance.

Features and benefits

- 17 configurations available for cylindrical and mortise applications
- Heavy-duty stainless steel construction
- 24 VDC standard with 12, 16 and 28 VDC operation optional
- Two-piece plug connectors are furnished for ease of installation and removal during strike servicing
- Options include rectifier kit for VAC to VDC conversion, dual monitor switches, entry buzzer and Allegion Connect wire extension
- Six popular finishes available to suite with existing hardware
- Suitable for interior and exterior doors
- UL 10C 3-hour fire-rated (fail secure only)
- UL 1034 listed for burglary-resistant electric door strikes
- ANSI/BHMA A156.31, Grade 1 for endurance and dynamic strength*
- ANSI/BHMA A156.31, Grade 1, 1500 lbs static strength*
- Dynamic strength 70 ft-lbs
- Endurance 1,000,000 cycles

* Certification detail is listed within Model Specifications

6200 Series power requirements

| Models | Voltage | Current | Duty | Amps | Ohms |
|--------|---------|---------|------------|------|------|
| All | 12V | DC | Continuous | 0.60 | 21 |
| All | 16V | DC | Continuous | 0.40 | 38 |
| All | 24V | DC | Continuous | 0.33 | 83 |
| All | 28V | DC | Continuous | 0.25 | 111 |

Continuous duty = Energized 1 minute or more

Mortise lockset compatibility^{1,3}

6211, 6211AL, 6211WF, 6212, 6213, 6214, 6215, 6221, 6222, 6223, 6224, 6224AL, 6225 and 6226 strikes

| Manufacturer | Model number |
|--------------|--|
| Von Duprin | 7500 |
| Adams Rite | 4510, 4710 |
| Baldwin | 6000 |
| Best | 24H, 30H |
| Corbin | 9000 |
| Falcon | M2300, M2500, M2600, M3300, M3500, M3600 |
| Precision | Mortise |
| Russwin | Mortise |
| Sargent | 7700, 8100, 9000 |
| Schlage | L9000, K30, K40, K50, K60 |
| Yale | 7030, 7130, 8600, 8700 |

Mortise lockset compatibility^{1,3}

6210

| Manufacturer | Model number |
|----------------|---------------------------------------|
| Von Duprin | 7500 |
| Best | 30H (not 45H/47H) |
| Corbin/Russwin | ML2200, 5000, 9000, CR2200 (not 2000) |
| Falcon | M100, M200, M300, M400, M500, M600 |
| Sargent | 7700, 8100 (not 7800/8200) |
| Schlage | L9000 |
| Yale | 8700 (not 8800) |

Cylindrical lockset compatibility^{1,3}

6211, 6211AL, 6211WF, 6212, 6213, 6214, 6215, 6221, 6222, 6223, 6224, 6224AL, 6225 and 6226 strikes

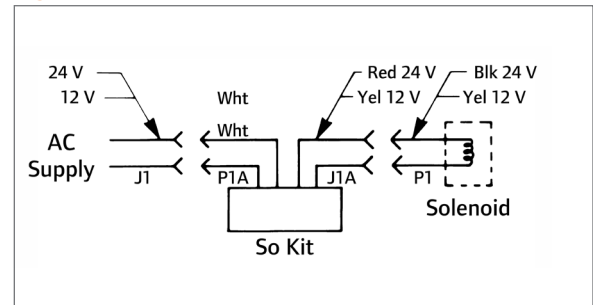
| Manufacturer | Cylindrical latchbolt projection |
|--------------|--|
| Baldwin | 1/2" - 3/4" (13 mm - 19 mm) |
| Best | 3/8" - 3/4" (10 mm - 19 mm) ² |
| Corbin | 1/2" - 3/4" (13 mm - 19 mm) |
| Falcon | 1/2" - 3/4" (13 mm - 19 mm) |
| Russwin | 1/2" - 3/4" (13 mm - 19 mm) |
| Sargent | 1/2" - 3/4" (13 mm - 19 mm) |
| Schlage | 3/8" - 3/4" (10 mm - 19 mm) ² |
| Yale | 1/2" - 3/4" (13 mm - 19 mm) |

Note: When using device not listed or when retrofitting a strike to an existing application, please contact Von Duprin Technical Support for application assistance.

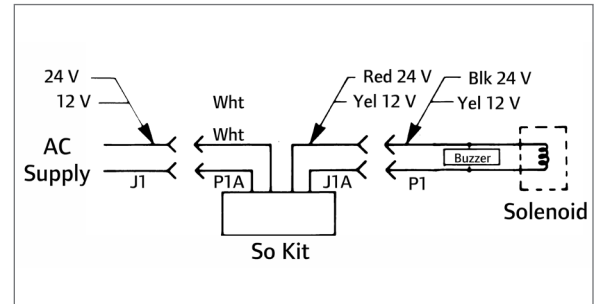
- Von Duprin cannot guarantee compatibility, as other manufacturer's designs may change without notice.
- Signalling may not function when using 3/8" (10 mm) throw bolt. Deadlocking cannot be guaranteed with all locks.
- When using a lockset not listed or when retrofitting a strike to an existing application, please contact Von Duprin Technical Support for assistance.

Wiring

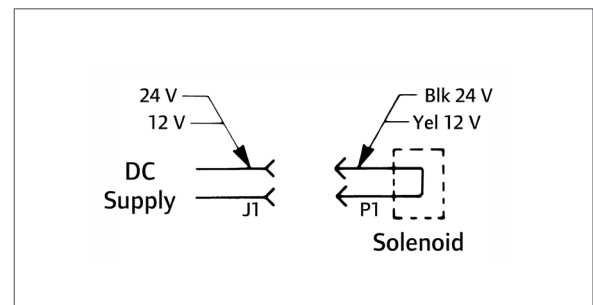
AC



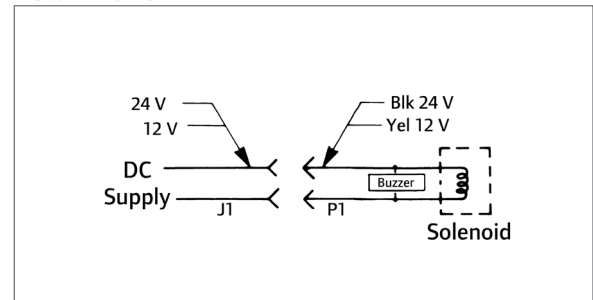
AC with Buzzer



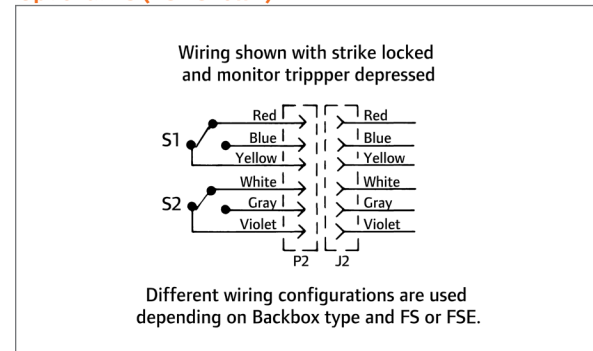
DC



DC with Buzzer



Optional DS (FSE Shown)





Model specifications

| | | | | | | |
|-----------------------------|---|--------|-------------------|--------|--------|----------|
| Model number | | 6210 | 6211 | 6211AL | 6211WF | 6212 |
| Retrofits model | | N/A | VD 3140 FA 712 | FA 722 | FA 732 | VD 3146 |
| Latchbolt throw | | ¾" | ¾" | ¾" | ¾" | ¾" |
| Face plate length | | 4 ⅞" | 4 ⅞" | 4 ⅞" | 4 ⅞" | 6 ⅜" |
| Backbox depth | | 1 ¾" | 1 ⅞" | 1 ⅞" | 4 ½" | 1 21/32" |
| Lockset | Mortise without deadbolt | ■ | ■ | ■ | ■ | ■ |
| | Mortise with deadbolt 1" throw | --- | --- | --- | --- | --- |
| | Cylindrical | --- | ■ | ■ | ■ | ■ |
| Number of doors | Single | ■ | ■ | ■ | ■ | ■ |
| | Pair | --- | --- | --- | --- | --- |
| Door and frame type | Hollow metal | ■ | ■ | --- | --- | ■ |
| | Aluminum | ■ | ■ | ■ | --- | ■ |
| | Wood | --- | --- | --- | ■ | --- |
| Options | DS or DS-LC (dual monitor switches) | ■ | ■ | ■ | ■ | ■ |
| | EB (entry buzzer - fail-secure only) | ■ | ■ | ■ | ■ | ■ |
| | 28 VDC AC rectifier kit | ■ | ■ | ■ | ■ | ■ |
| | 16 VDC solenoid | ■ | ■ | ■ | ■ | ■ |
| Certifications/ Listings | UL 1034 | ■ | ■ | ■ | ■ | ■ |
| | UL 10C | 3 hour | 3 hour | 3 hour | 3 hour | 3 hour |
| | ANSI/BHMA 156.31, Grade 1 | --- | ■ | ■ | ■ | --- |
| Application Notes | | 1, 4 | --- | --- | 2 | 3, 4 |

Application notes:

1. For use in ANSI prep at standard height. Strike pocket inserts are provided to accommodate different manufacturers deadlocking trigger locations.
2. Designed to replace Folger Adams 732. Wood frame horizontal solenoid location differs from Folger Adams. Requires additional frame prep when retrofitting.
3. Fits modified ANSI 115.2 cutout. Designed to replace Von Duprin 3146.
4. Meets ANSI/BHMA A156.31, Grade 1



Model specifications

| Model number | 6212WF | 6213 | 6214 | 6215 | 6216 | 6221 | |
|--------------------------|--------------------------------------|---|------------------|----------|------------|--------------------|---------|
| Retrofits model | N/A | VD 3041, 3042, 3061, 3062 | FA 310-2 3/4 | FA 310-2 | FA 310-3-1 | VD 3071 VD 3072 | |
| Latchbolt throw | 3/4" | 3/4" | 3/4" | 3/4" | 3/4" | 3/4" | |
| Face plate length | 6 3/8" | 6" | 9" | 9" | 9" | 6" | |
| Backbox depth | 4 1/2" | 2 1/2" | 2" | 1 5/8" | 2 7/8" | 4 3/4" | |
| Lockset | Mortise without deadbolt | ■ | ■ | ■ | ■ | --- | ■ |
| | Mortise with deadbolt 1" throw | --- | --- | --- | --- | ■ | --- |
| | Cylindrical | ■ | ■ | ■ | ■ | --- | ■ |
| Number of doors | Single | ■ | ■ | ■ | ■ | ■ | --- |
| | Pair | --- | --- | --- | --- | --- | ■ |
| Door and frame type | Hollow metal | --- | ■ | ■ | ■ | ■ | ■ |
| | Aluminum | --- | ■ | ■ | ■ | ■ | ■ |
| | Wood | ■ | See note 1 below | --- | --- | ■ | ■ |
| Options | DS or DS-LC (dual monitor switches) | ■ | ■ | ■ | ■ | ■ | ■ |
| | EB (entry buzzer - fail-secure only) | ■ | ■ | ■ | ■ | ■ | ■ |
| | 28VDC AC rectifier kit | ■ | ■ | ■ | ■ | ■ | ■ |
| | 16VDC solenoid | ■ | ■ | ■ | ■ | ■ | ■ |
| Certifications/ Listings | UL 1034 | ■ | ■ | ■ | ■ | ■ | ■ |
| | UL 10C | 3 hour | 3 hour | 3 hour | 3 hour | 3 hour | 3 hour* |
| | ANSI/BHMA 156.31 | Meets Grade 1, 1500 lbs static strength; 70 ft lbs dynamic strength; 1,000,000 cycles endurance | | | | | |
| Application notes | --- | 1 | --- | --- | 2 | 3 | |

* When pair door has inactive leaf.

Application notes:

- Includes wood frame for retrofit applications.
- Deadbolt must be manually operated.
- Open back electric strike for use on 1 3/4" (44 mm) thick double door applications. 4 3/4" (120 mm) minimum stile required. For a concealed vertical rod and mortise device combination, specify "A" backbox.



Model specifications

| Model number | 6222 | 6223 | 6224 | 6224AL | 6225 | 6226 |
|-----------------------------|---|---|------------|------------|-------------|----------|
| Retrofits model | FA 310-2 ¾ OB | VD 3091 VD 3092 | FA 310-2 ¾ | FA 310-2RF | FA 310-2 OB | FA 310-2 |
| Latchbolt throw | ¾" | ¾" | ¾" | ¾" | ¾" | ¾" |
| Face plate length | 9" | 6" | 9" | 9" | 9" | 9" |
| Backbox depth | 2" | 4 ½" | 2" | 1 ⅝" | 1 ⅝" | 1 ⅝" |
| Lockset | Mortise without deadbolt | ■ | ■ | ■ | ■ | ■ |
| | Mortise with deadbolt 1" throw | --- | --- | --- | --- | --- |
| | Cylindrical | ■ | ■ | ■ | ■ | ■ |
| Number of doors | Single | --- | --- | --- | --- | --- |
| | Pair | ■ | ■ | ■ | ■ | ■ |
| Door and frame type | Hollow metal | ■ | ■ | ■ | --- | ■ |
| | Aluminum | ■ | ■ | ■ | ■ | ■ |
| | Wood | --- | ■ | --- | --- | --- |
| Options | DS or DS-LC (dual monitor switches) | ■ | ■ | ■ | ■ | ■ |
| | EB (entry buzzer - fail-secure only) | ■ | ■ | ■ | ■ | ■ |
| | 28VDC AC rectifier kit | ■ | ■ | ■ | ■ | ■ |
| | 16VDC solenoid | ■ | ■ | ■ | ■ | ■ |
| Certifications/ Listings | UL 1034 | ■ | ■ | ■ | ■ | ■ |
| | UL 10C | 3 hour* | 3 hour* | 3 hour* | 3 hour* | 3 hour* |
| | ANSI/BHMA 156.31 | Meets Grade 1, 1500 lbs static strength; 70 ft lbs dynamic strength; 1,000,000 cycles endurance | | | | |
| Application notes | 1 | 2 | 3 | 4 | 5 | 6 |

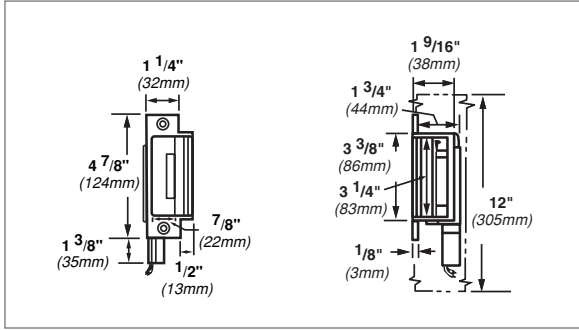
* When pair door has inactive leaf.

Application notes:

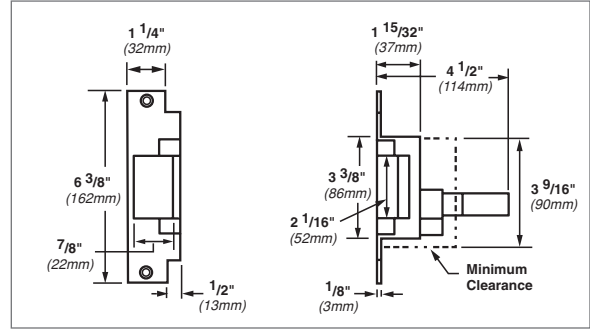
- Open back electric strike for use on 1 ¾" (44 mm) thick double door applications
- Closed back electric strike for use on 1 ¾" (44 mm) thick double door applications. 4 ¾" (120 mm) minimum stile required. For a concealed vertical rod and mortise device combination specify "A" backbox.
- Closed back electric strike for use on 1 ¾" (44 mm) or 2 ¼" (57 mm) thick double door applications.
- Closed back electric strike for use on 1 ¾" (44 mm) or 2 ¼" (57 mm) thick aluminum double door applications.
- Open back electric strike for use on 1 ¾" (44 mm) thick double door applications.
- Closed back electric strike for use on 1 ¾" (44 mm) or 2 ¼" (57 mm) thick double door applications.

Dimensions

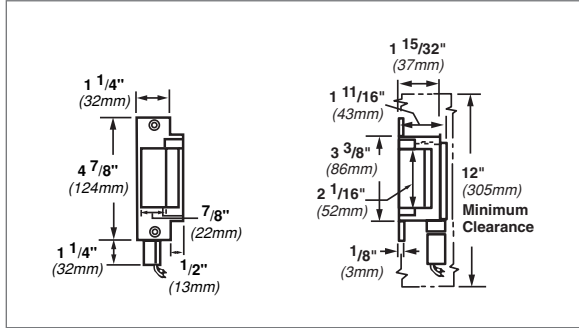
6210



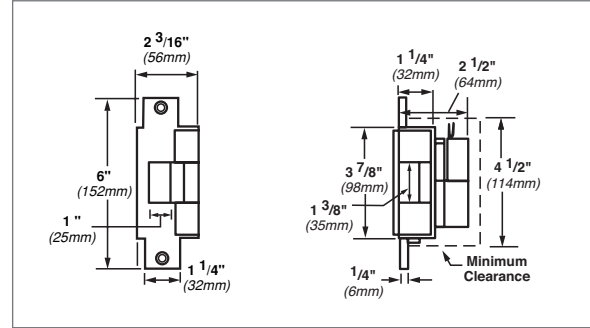
6212WF



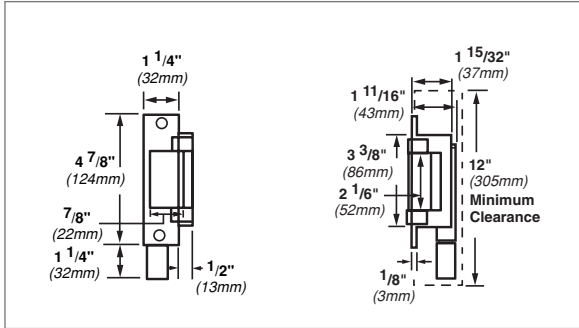
6211



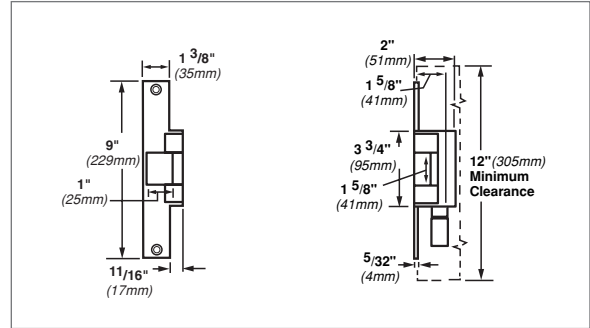
6213



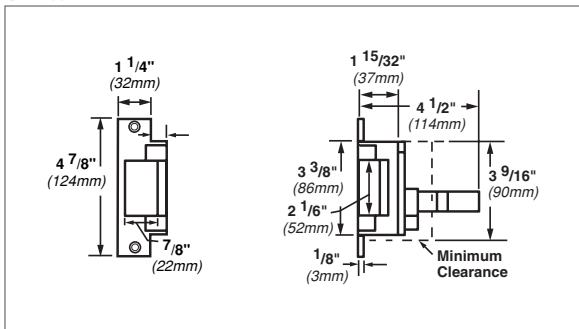
6211AL



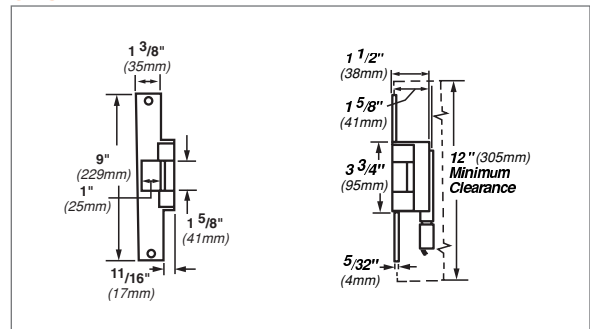
6214



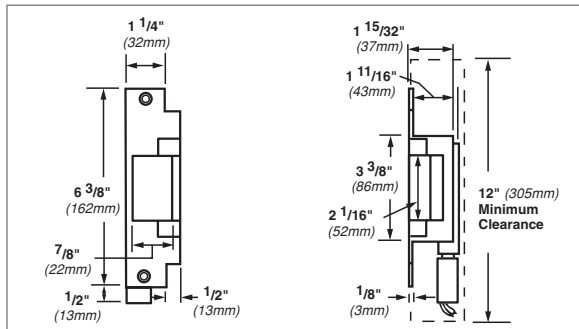
6211WF



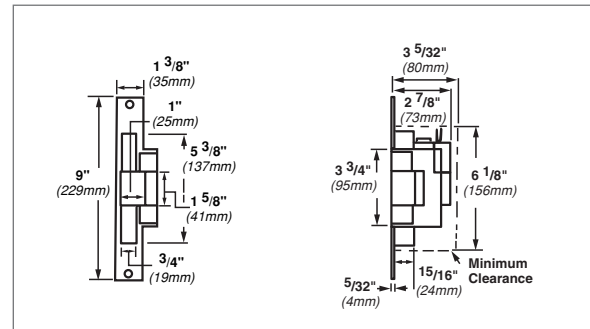
6215



6212

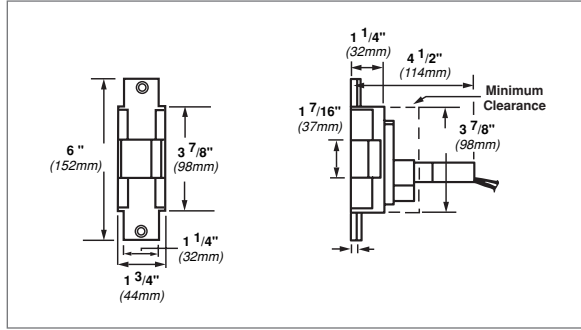


6216

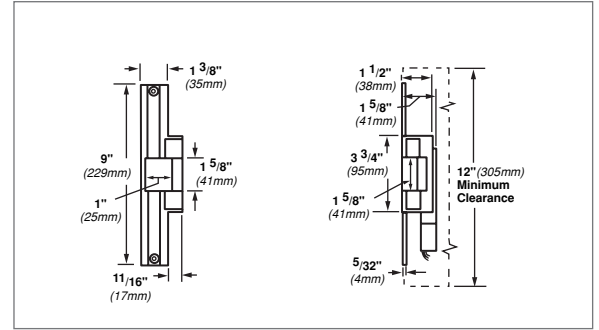


Dimensions

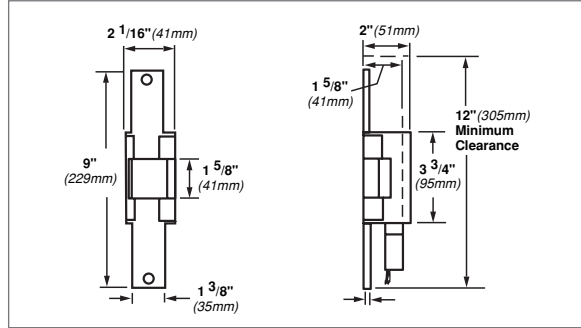
6221



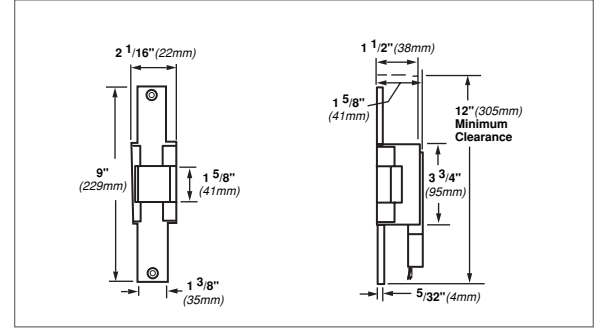
6224AL



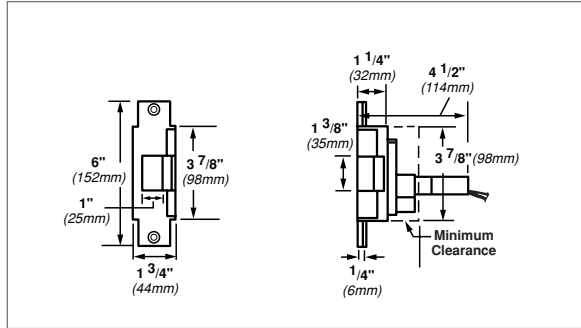
6222



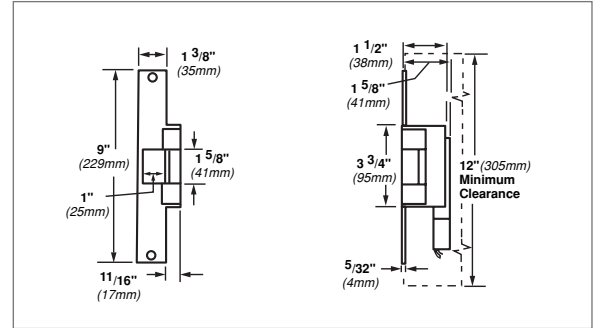
6225



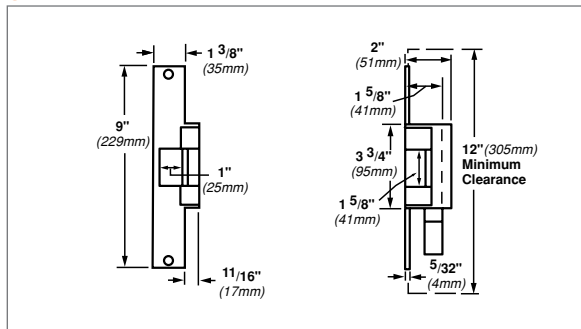
6223



6226



6224



Ordering information

6210-FSE-DS-24-S024-US3-EB-CON

| Model | Power failure mode | Dual switch* | Voltage | Rectifier kit* | Finish | Buzzer* | Allegion Connect* |
|-------|--------------------|--------------|---------|----------------|--------|---------|-------------------|
| 1 | 2 | 3 | 4 | 5 | 6 | 7 | 8 |

* Optional

Selections correspond with the numbers above

| 1 | Model |
|--|--|
| Reference specification chart to make the proper model selection | |
| 2 | Power failure mode |
| FSE | Fail-secure. Requires power to be applied to unlock the strike lip. On loss of power, the strike lip is locked. Fire-rated. |
| FS | Fail-safe. Requires power to be applied to lock the strike lip. On loss of power, the strike lip is unlocked. Non-fire-rated. |
| 3 | Dual switch (optional) |
| DS | Monitors latch bolt and lock status. DS switches rated for 24 VDC at .050 - 2.0 amps. |
| DS-LC | Low current option for computer monitoring. Monitors latch bolt & lock status. DS-LS switches rated for 24 VDC at .050 amp or less. |
| 4 | Voltage (VDC) |
| 24 | Low voltage DC power (standard) |
| 12 | Low voltage DC power |
| 16 | Low voltage DC power (solenoid sold separately) |
| 28 | Low voltage DC power (solenoid sold separately) |

If AC power is required, specify rectifier kit.

| 5 | Rectifier kit (optional) |
|---|---|
| S012 | Converts 12 VAC voltage to 12 VDC to operate the solenoid |
| S024 | Converts 24 VAC voltage to 24 VDC to operate the solenoid |
| 6 | Finish |
| US3/BHMA 605 | Plated polished brass on stainless steel |
| US4/BHMA 606 | Plated dull brass on stainless steel |
| US10/BHMA 612 | Plated dull bronze on stainless steel |
| US10B/BHMA 613 | Plated dark bronze, oil rubbed on stainless steel |
| US32/BHMA 629 | Stainless steel, polished |
| US32D/BHMA 630 | Stainless steel, satin |
| 7 | Buzzer (optional) |
| EB | Entry Buzzer |
| Only available if Fail-Secure (FSE) is specified. | |
| 8 | Allegion Connect |
| CON | Allegion Connect Connector |
| 6 in. wire extension harness available | |